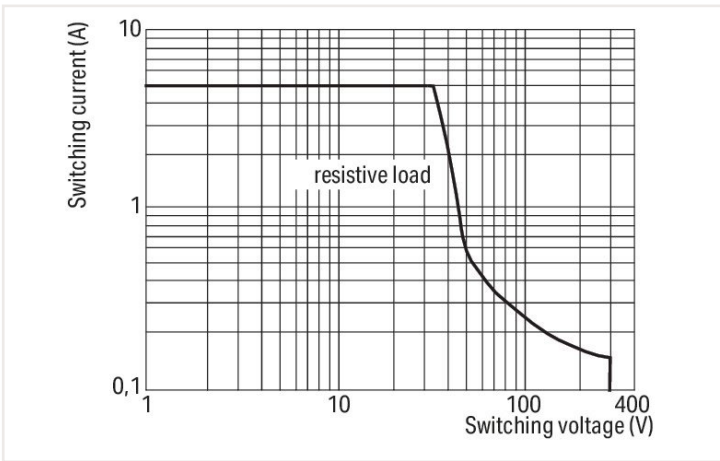
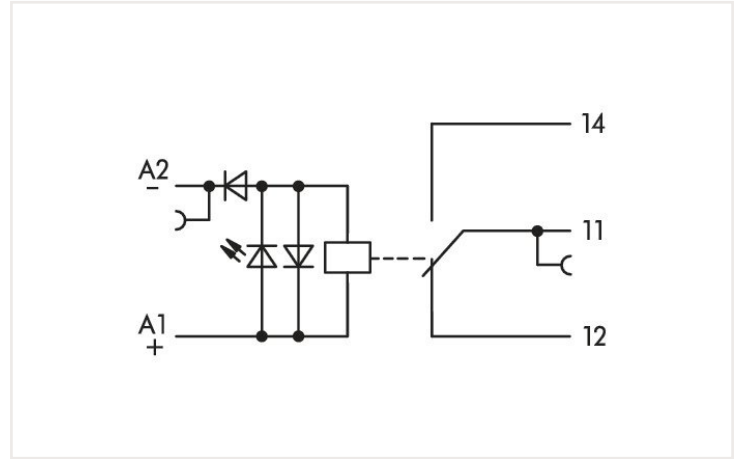
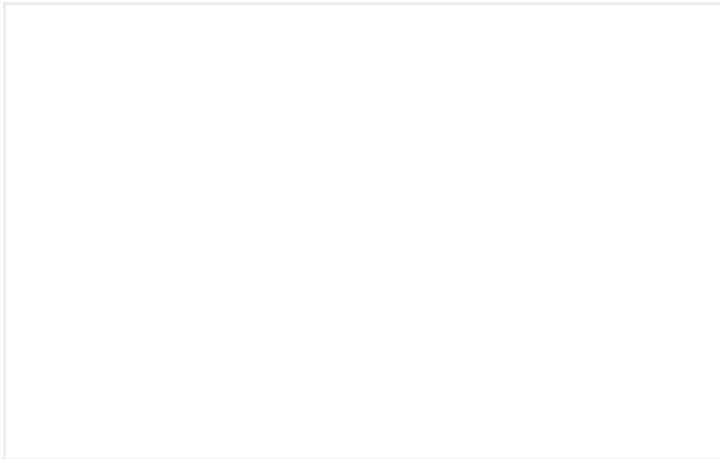


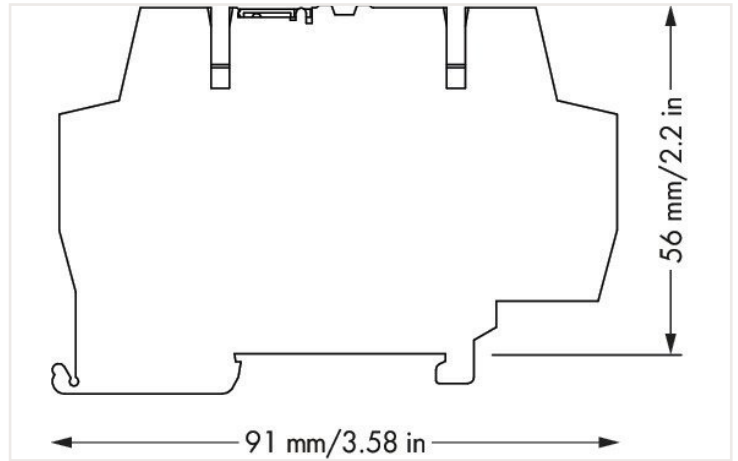
Data sheet | Item number: 859-304

Relay module; Nominal input voltage: 24 VDC; 1 changeover contact; Red status indicator; Module width: 6 mm; 2,50 mm²; gray

<https://www.wago.com/859-304>



DC load limit curve



Dimensions in mm

Notes

Note	To protect the relay coils and contacts, inductive loads must be dampened with an effective protection circuit.
------	---

Technical data

Control circuit

Nominal input voltage U_N	DC 24 V
Input voltage range	-15 ... +20 %
Nominal input current at U_N	10 mA

Load circuit

Number of changeover/switchover contacts	1
Contact material (relay)	AgSnO ₂
Limiting continuous current	5 A
Inrush current (resistive) max.	(AC) 20 A / 0.02 s
Switching voltage (max.)	AC 250 V
Switching power (resistive) max.	AC 1250 VA; DC (see load limit curve)
Switching capacity	AC-15: 3 A / AC 250 V; DC-13: 2 A / DC 24 V
Recommended minimum load	10 V / 10 mA; 24 V / 1 mA
Pull-in time (typ.)	6 ms
Drop-out time (typ.)	6 ms
Bounce time (typ.)	3.5 ms
Electrical life (NO; resistive load; 23 °C)	50 x 10 ³ switching operations
Mechanical life	5 x 10 ⁶ switching operations
Switching frequency with/without load (max.)	6 min ⁻¹ / 180 min ⁻¹

Signaling

Status indicator	Red LED
------------------	---------

Safety and protection

Rated voltage	300 V
Rated surge voltage	4 kV
Overtoltage category	III
Pollution degree	2
Dielectric strength (control/load circuit) (AC, 1 min)	4 kVrms
Dielectric strength (open contact) (AC, 1 min)	1 kVrms
Insulation type (control/load circuit)	Reinforced insulation (safe isolation)
Insulation type (adjacent devices)	Reinforced insulation (safe isolation)
Protection type	IP20; in connected state or when using 859-525 end plate

Connection data

Connection technology	CAGE CLAMP®
Solid conductor	0.08 ... 2.5 mm ² / 28 ... 14 AWG
Fine-stranded conductor	0.08 ... 2.5 mm ² / 28 ... 14 AWG
Fine-stranded conductor; with insulated ferrule	0.08 ... 1.5 mm ² / 28 ... 16 AWG
Strip length	5 ... 6 mm / 0.2 ... 0.24 inches

Physical data

Width	6 mm / 0.236 inches
Height	91 mm / 3.583 inches
Depth from upper-edge of DIN-rail	56 mm / 2.205 inches

Mechanical data

Mounting type	DIN-35 rail
Mounting position	horizontal (standing/lying); vertical

Material data

Color	gray
Fire load	0.503 MJ
Weight	22.9 g

Environmental requirements

Ambient temperature (operation at U_N)	-40 ... 50 °C
Surrounding air temperature (storage)	-40 ... +70 °C
Processing temperature	-25 ... +50 °C
Temperature range of connection cable	$\geq (T_{\text{surrounding air}} + 20 \text{ K})$
Relative humidity	5 ... 95 % (no condensation permissible)
Operating altitude (max.)	2000 m

Standards and specifications

Standards/specifications	EN 61010-2-201 EN 61810-1 EN 61373 UL 508 DNV
--------------------------	---

Commercial data

Product Group	6 (Interface Electronics)
eCl@ss 10.0	27-37-16-01
eCl@ss 9.0	27-37-16-01
ETIM 8.0	EC001437
ETIM 7.0	EC001437
PU (SPU)	10 Stück
Packaging type	Box
Country of origin	CN
GTIN	4055143606769
Customs tariff number	85364900990

Approvals and certificates

General approvals



Approval	Standard	Certificate name
UL UL International Netherlands B.V. (ORDINARY LOCATIONS)	UL 508	E175199 Sec.4

Approvals for marine applications



Approval	Standard	Certificate name
DNV GL Det Norske Veritas, Germanischer Lloyd	-	TAA00001D1
PRS Polski Rejestr Statków	-	TE/2186/880590/18

Approvals for hazardous areas

Approval	Standard	Certificate name
CCC CNEX	CNCA-C23-01	2021312304000982 (Exec nC IIC T4 Gc)

Downloads

Environmental Product Compliance

Compliance Search	
Environmental Product Compliance 859-304	↓

Documentation

Bid Text			
859-304	19.02.2019	xml 4.47 KB	↓
859-304	20.02.2019	docx 16.77 KB	↓
ausschreiben.de 859-304			↓

Instruction Leaflet			
Relay modules, Optocoupler modules	V 2.0.0 19.01.2022	pdf 2066.27 KB	↓

CAD/CAE-Data

CAD data	
2D/3D Models 859-304	↓

CAE data	
EPLAN Data Portal 859-304	↓
WSCAD Universe 859-304	↓
ZUKEN Portal 859-304	↓

1 Compatible products

1.1 Optional accessories

1.1.1 End plate

1.1.1.1 End plate



Item no.: 859-525

End and intermediate plate; 1 mm thick; gray

1.1.1.2 Intermediate plate



Item no.: 859-525

End and intermediate plate; 1 mm thick; gray

1.1.2 Ferrule

1.1.2.1 Ferrule



Item no.: 216-321

Ferrule; Sleeve for 0.25 mm² / AWG 24; insulated; electro-tin plated; yellow



Item no.: 216-322

Ferrule; Sleeve for 0.34 mm² / 22 AWG; insulated; electro-tin plated; light turquoise



Item no.: 216-221

Ferrule; Sleeve for 0.5 mm² / 20 AWG; insulated; electro-tin plated; white



Item no.: 216-222

Ferrule; Sleeve for 0.75 mm² / 18 AWG; insulated; electro-tin plated; gray



Item no.: 216-223

Ferrule; Sleeve for 1 mm² / AWG 18; insulated; electro-tin plated; red



Item no.: 216-224

Ferrule; Sleeve for 1.5 mm² / AWG 16; insulated; electro-tin plated; black

1.1.3 Jumper

1.1.3.1 Jumper



Item no.: 859-410/000-006

Jumper; for jumper slot; 10-way; insulated; blue



Item no.: 859-410

Jumper; for jumper slot; 10-way; insulated; light gray



Item no.: 859-410/000-005

Jumper; for jumper slot; 10-way; insulated; red



Item no.: 859-410/000-029

Jumper; for jumper slot; 10-way; insulated; yellow



Item no.: 859-402/000-006

Jumper; for jumper slot; 2-way; insulated; blue



Item no.: 859-402

Jumper; for jumper slot; 2-way; insulated; light gray



Item no.: 859-402/000-005

Jumper; for jumper slot; 2-way; insulated; red



Item no.: 859-402/000-029

Jumper; for jumper slot; 2-way; insulated; yellow



Item no.: 859-403/000-006

Jumper; for jumper slot; 3-way; insulated; blue



Item no.: 859-403

Jumper; for jumper slot; 3-way; insulated; light gray



Item no.: 859-403/000-005

Jumper; for jumper slot; 3-way; insulated; red



Item no.: 859-403/000-029

Jumper; for jumper slot; 3-way; insulated; yellow



Item no.: 859-404/000-006

Jumper; for jumper slot; 4-way; insulated; blue



Item no.: 859-404

Jumper; for jumper slot; 4-way; insulated; light gray



Item no.: 859-404/000-005

Jumper; for jumper slot; 4-way; insulated; red



Item no.: 859-404/000-029

Jumper; for jumper slot; 4-way; insulated; yellow

1.1.3.1 Jumper



Item no.: 859-405/000-006

Jumper; for jumper slot; 5-way; insulated; blue

Item no.: 859-405

Jumper; for jumper slot; 5-way; insulated; light gray

Item no.: 859-405/000-005

Jumper; for jumper slot; 5-way; insulated; red

Item no.: 859-405/000-029

Jumper; for jumper slot; 5-way; insulated; yellow



Item no.: 859-406/000-006

Jumper; for jumper slot; 6-way; insulated; blue

Item no.: 859-406

Jumper; for jumper slot; 6-way; insulated; light gray

Item no.: 859-406/000-005

Jumper; for jumper slot; 6-way; insulated; red

Item no.: 859-406/000-029

Jumper; for jumper slot; 6-way; insulated; signal yellow



Item no.: 859-407/000-006

Jumper; for jumper slot; 7-way; insulated; blue

Item no.: 859-407

Jumper; for jumper slot; 7-way; insulated; light gray

Item no.: 859-407/000-005

Jumper; for jumper slot; 7-way; insulated; red

Item no.: 859-407/000-029

Jumper; for jumper slot; 7-way; insulated; yellow



Item no.: 859-408/000-006

Jumper; for jumper slot; 8-way; insulated; blue

Item no.: 859-408

Jumper; for jumper slot; 8-way; insulated; light gray

Item no.: 859-408/000-005

Jumper; for jumper slot; 8-way; insulated; red

Item no.: 859-408/000-029

Jumper; for jumper slot; 8-way; insulated; yellow

1.1.4 Marking

1.1.4.1 Marker



Item no.: 2009-145

Mini-WSB Inline; for Smart Printer; 1700 pieces on roll; stretchable 5 - 5.2 mm; plain; snap-on type; white

Item no.: 248-502

Mini-WSB marking card; as card; MARKED; 1 ... 10 (10x); not stretchable; Horizontal marking; snap-on type; white

Item no.: 248-503

Mini-WSB marking card; as card; MARKED; 11 ... 20 (10x); not stretchable; Horizontal marking; snap-on type; white

Item no.: 248-504

Mini-WSB marking card; as card; MARKED; 21 ... 30 (10x); not stretchable; Horizontal marking; snap-on type; white



Item no.: 248-506

Mini-WSB marking card; as card; MARKED; 41 ... 50 (10x); not stretchable; Horizontal marking; snap-on type; white

Item no.: 248-501

Mini-WSB marking card; as card; not stretchable; plain; snap-on type; white

Item no.: 793-5501

WMB marking card; as card; for terminal block width 5 - 17.5 mm; stretchable 5 - 5.2 mm; plain; snap-on type; white

Item no.: 793-501

WMB marking card; as card; not stretchable; plain; snap-on type; white

1.1.4.2 Marking devices



Item no.: 210-110

Fiber-tip pen

1.1.5 Test and measurement

1.1.5.1 Testing accessories



Item no.: 859-500

WAGO Test pin; 1 mm Ø; 30 V AC / 60 V DC; CAT0; 1 A; 10 mm uninsulated; Test lead for soldering up to 0,5mm²

1.1.6 Tool

1.1.6.1 Operating tool

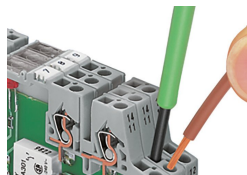


Item no.: 210-720

Operating tool; Blade: 3.5 x 0.5 mm; with a partially insulated shaft; multicoloured

Installation notes

Conductor termination



Conductor termination

Commoning

Easy commoning using adjacent jumpers

Marking



Marking via Mini-WSB Quick Marking System