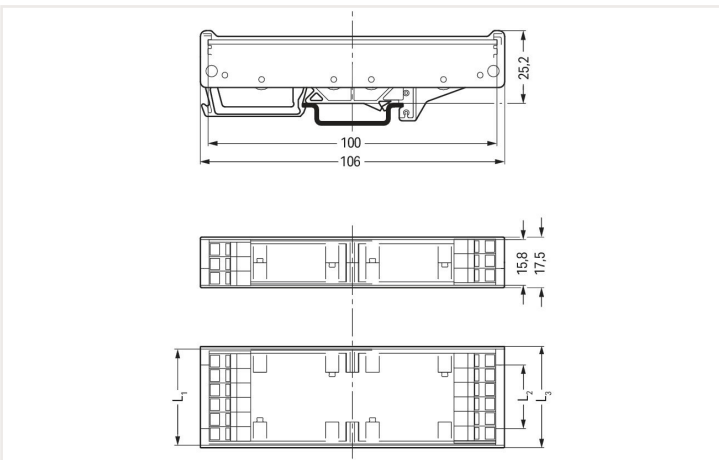


DIN-rail-mount PCB carrier, size 2



Dimensions in mm

L1 = PCB/cover length

L2 = L1 - 15.8 mm (L2 = carrier base length)

L3 = L1 + 2 mm

DIN-rail mount PCB carrier, size 2 – carrier base, size 2; 1 m long

Notes	
Note	<p>Length calculation for a complete mounting carrier:</p> <p>PCB length: L1</p> <p>Base length: L2 = L1 - 15.8 mm</p> <p>Mounting carrier length: L3 = L1 + 2 mm</p> <p>Cover length: L4 = L1</p> <p>Lateral cover, size 2, 8.75 mm thick</p> <p>Free space between base and PCB (when using upper PCB groove): 5 mm</p> <p>PCB tolerances: thickness 1.5 mm ± 0.2 mm, length/width ± 0.2 mm; -0.1/+0.3 for milling contours</p>

### Physical data

Width	1000 mm / 39.37 inches
Height	100 mm / 3.937 inches

### Mechanical data

Mounting type	DIN-35 rail
---------------	-------------

### Material data

Color	gray
Fire load	0 MJ
Weight	297 g

### Commercial data

Product Group	6 (Interface Electronics)
eCl@ss 10.0	27-18-27-02
eCl@ss 9.0	27-18-27-02
ETIM 8.0	EC001031
ETIM 7.0	EC001031
PU (SPU)	1 Stück
Packaging type	Box
Country of origin	DE
GTIN	4017332639477
Customs tariff number	39169010900

### Downloads

#### Environmental Product Compliance

##### Compliance Search

Environmental Product  
Compliance 288-620



#### CAD/CAE-Data

##### CAD data

2D/3D Models 288-620



##### CAE data

WSCAD Universe  
288-620



ZUKEN Portal 288-620



## 1 Compatible products

### 1.1 Optional accessories

#### 1.1.1 Installation

##### 1.1.1.1 Mounting accessories



[Item no.: 210-533](#)

Phillips screw 2.9 x 13

##### 1.1.1.2 Mounting carrier and mounting feet



[Item no.: 288-627](#)

Cover; Size 2; 1 m long; transparent



[Item no.: 288-622](#)

Fixing foot for DIN 35 rail; gray

[Item no.: 288-626](#)

Lateral cover; Size 2; large; 8.75 mm thick; gray

[Item no.: 288-621](#)

Lateral cover; Size 2; small; 8.75 mm thick; gray