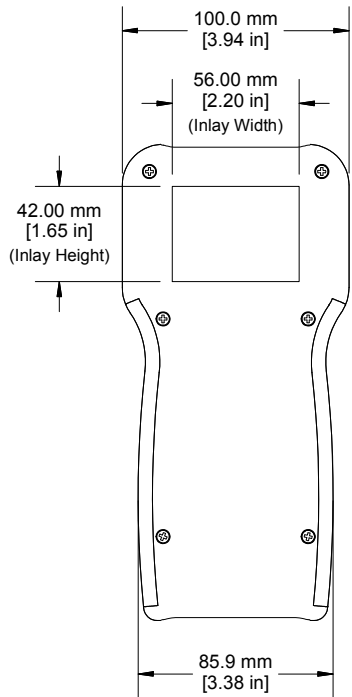
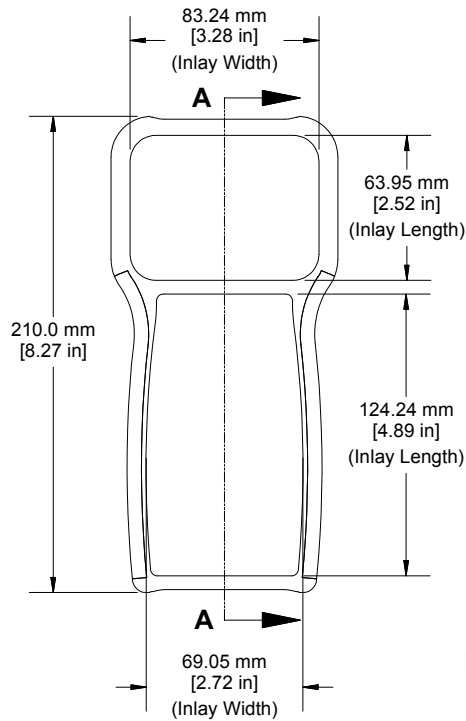


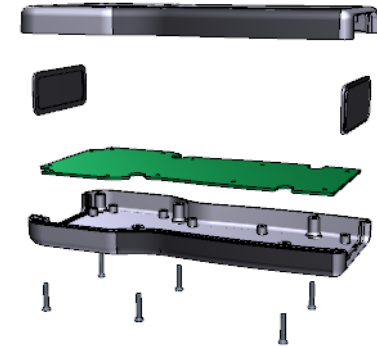
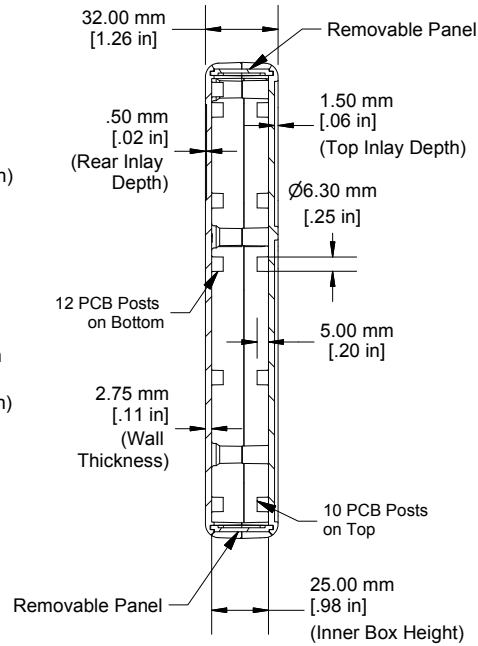
**Rear View of Assembly**



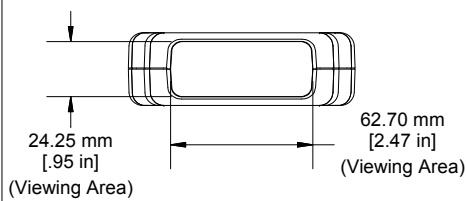
**Top View of Assembly**



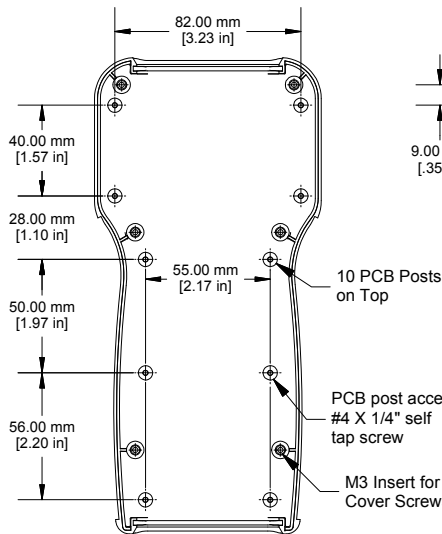
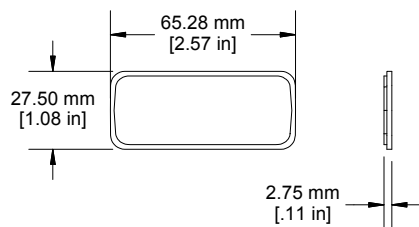
**SECTION A-A  
(Side View of Assembly)**



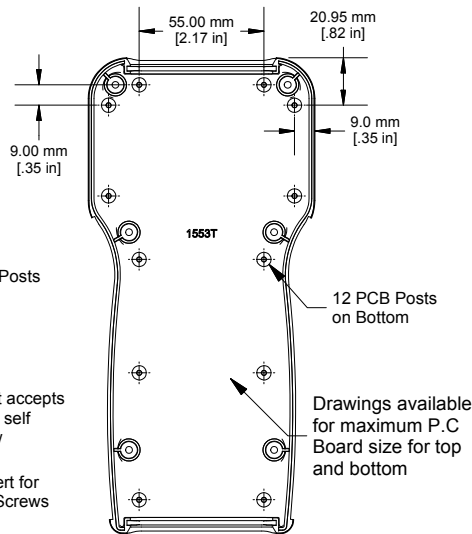
**Bottom End View of Assembly**



**Top/Bottom Panel**



**Inside View of Top**



**Inside View of Bottom**

Enclosures can be Factory Modified ( Milling, Drilling, Printing etc.)  
Contact Factory [mjm@hammondmfg.com](mailto:mjm@hammondmfg.com) for quotes  
Solid models of this enclosure available in STEP or IGES.

NOTE	
Enclosure molded from FR ABS (UL94-V0) plastic.	
Purchased assembly includes top and bottom cover, 2 removable panels and 6 cover screws (M3-0.5 x 18mm). M3 Brass inserts are installed to accept the cover screws. (P.C. Board not supplied)	
PART NUMBERS	
1553T Enclosure	
Black Enclosure/Grey Over-mold	1553TBK
Grey Enclosure/Grey Over-mold	1553TGY
ACCESSORIES	
Replacement Cover Screws (Pkg 100) [M3-0.5 x 18mm, Flat Head]	SC503-100 (Silver) SC503BK-100 (Black)
P.C. Board Screws [#4 x 1/4"(6.4mm) Self Tapping]	1593ATS50 (Pkg 50) 1593ATS100 (Pkg 100)



**HAMMOND  
MANUFACTURING™**

**1553T**

[www.hammondmfg.com](http://www.hammondmfg.com)