

PCB TERMINAL BLOCKS

5mm Pitch Pluggable Rising Clamp Terminal

- 2-24 pole solid block
- Pluggable male-female connectors
- Open & closed headers
- Horizontal & vertical female plug styles
- Polarised mouldings
- Moulded in green UL94-V0 flame retardant PA
- Professional rising clamp terminals
- 0.2-2.5mm² (30-12AWG) solid & stranded cable
- Anti solder wicking
- Captive screws
- Guided pin alignment
- CE, RoHS, REACH approved

SPECIFICATION

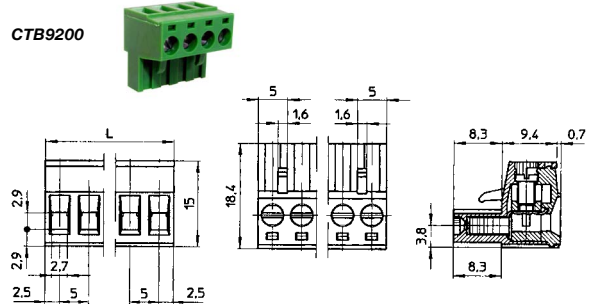
Rating	12A/320V UL=12A/300V, VDE&IMQ=20A/320V
Dielectric strength	≥2.5kV
Impulse withstand voltage	4kV
Working temperature	100°C
Moulding	UL94-V0 flame retardant PA
Pin/terminal	Tinned phosphor bronze
Rising clamp	Nickel copper flash brass
Screw/torque	M3 steel zinc plated, 0.5Nm
Recommended PCB hole size	ø1.4mm

Female connector

TYPE NO.	POLES	LENGTH
CTB9200/2A	2	10mm
CTB9200/3A	3	15mm
CTB9200/4A	4	20mm
CTB9200/5A	5	25mm
CTB9200/6A	6	30mm
CTB9200/7A	7	35mm
CTB9200/8A	8	40mm
CTB9200/9A	9	45mm
CTB9200/10A	10	50mm
CTB9200/11A	11	55mm
CTB9200/12A	12	60mm
CTB9200/13A	13	65mm

TYPE NO.	POLES	LENGTH
CTB9200/14A	14	70mm
CTB9200/15A	15	75mm
CTB9200/16A	16	80mm
CTB9200/17A	17	85mm
CTB9200/18A	18	90mm
CTB9200/19A	19	95mm
CTB9200/20A	20	100mm
CTB9200/21A	21	105mm
CTB9200/22A	22	110mm
CTB9200/23A	23	115mm
CTB9200/24A	24	120mm

CTB9200

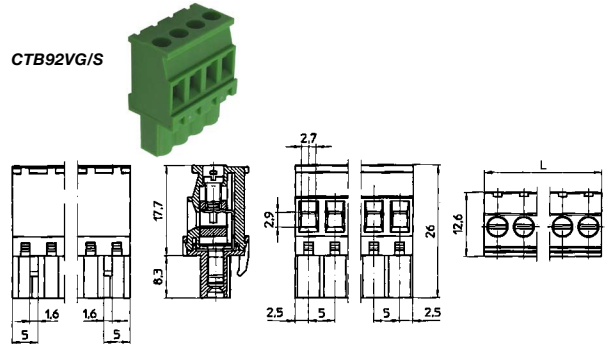


Female connector vertical (standard)

TYPE NO.	POLES	LENGTH
CTB92VG/2S	2	10mm
CTB92VG/3S	3	15mm
CTB92VG/4S	4	20mm
CTB92VG/5S	5	25mm
CTB92VG/6S	6	30mm
CTB92VG/7S	7	35mm
CTB92VG/8S	8	40mm
CTB92VG/9S	9	45mm
CTB92VG/10S	10	50mm
CTB92VG/11S	11	55mm
CTB92VG/12S	12	60mm
CTB92VG/13S	13	65mm

TYPE NO.	POLES	LENGTH
CTB92VG/14S	14	70mm
CTB92VG/15S	15	75mm
CTB92VG/16S	16	80mm
CTB92VG/17S	17	85mm
CTB92VG/18S	18	90mm
CTB92VG/19S	19	95mm
CTB92VG/20S	20	100mm
CTB92VG/21S	21	105mm
CTB92VG/22S	22	110mm
CTB92VG/23S	23	115mm
CTB92VG/24S	24	120mm

CTB92VG/S



Female connector vertical (reversed)

TYPE NO.	POLES	LENGTH
CTB92VG/2R	2	10mm
CTB92VG/3R	3	15mm
CTB92VG/4R	4	20mm
CTB92VG/5R	5	25mm
CTB92VG/6R	6	30mm
CTB92VG/7R	7	35mm
CTB92VG/8R	8	40mm
CTB92VG/9R	9	45mm
CTB92VG/10R	10	50mm
CTB92VG/11R	11	55mm
CTB92VG/12R	12	60mm
CTB92VG/13R	13	65mm

TYPE NO.	POLES	LENGTH
CTB92VG/14R	14	70mm
CTB92VG/15R	15	75mm
CTB92VG/16R	16	80mm
CTB92VG/17R	17	85mm
CTB92VG/18R	18	90mm
CTB92VG/19R	19	95mm
CTB92VG/20R	20	100mm
CTB92VG/21R	21	105mm
CTB92VG/22R	22	110mm
CTB92VG/23R	23	115mm
CTB92VG/24R	24	120mm

CTB92VG/R

