

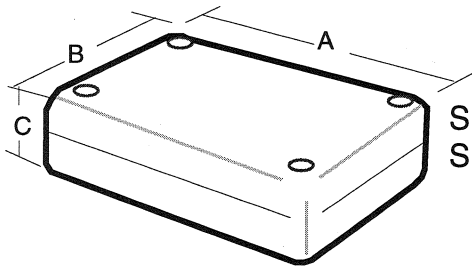
2 PART ABS BOXES

To compliment our extensive range of cases, we have added a further three versatile and attractive boxes in ABS with a polished finish. Their rugged yet simple features make them unobtrusive and ideal for domestic, commercial and office applications.

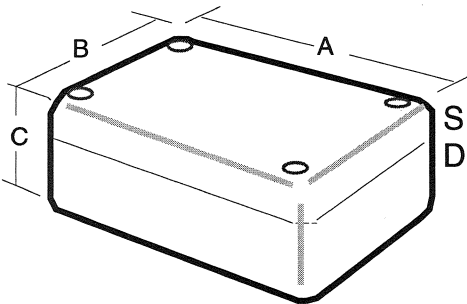
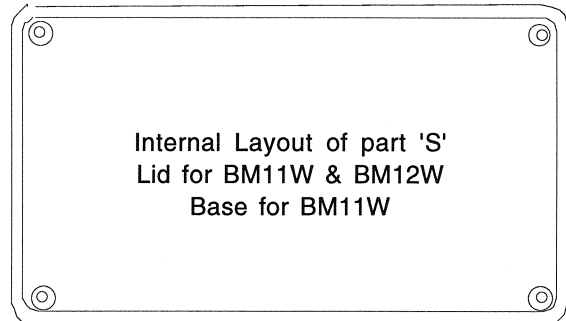
The lid is retained by 4 x 3.5mm countersunk plated screws into brass inserts

Printed circuit board slots are provided in the base of BM12W and in both halves of BM22W.

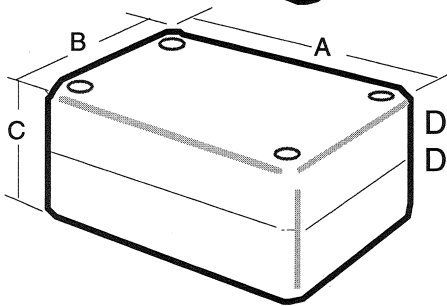
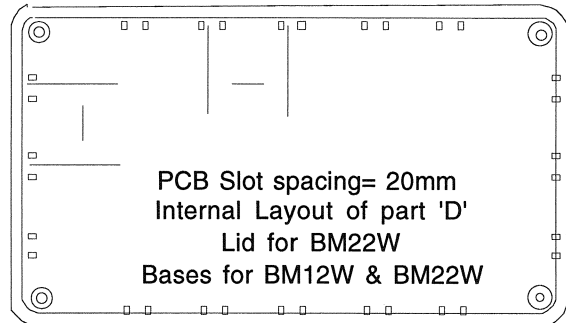
Standard colour for this range is white but other colours may be available on request.



BM11W



BM12W



BM22W

Type	Overall dimensions (mm)			Nominal Wall Thickness
	A	B	C	
BM11W	143	82	30	3.0
BM12W	143	82	44	3.0
BM22W	143	82	58	3.0