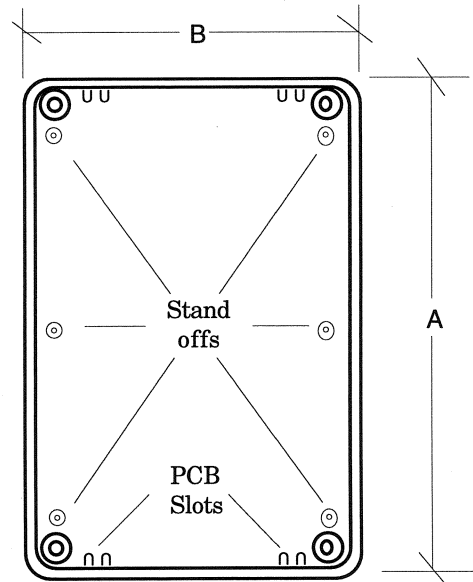
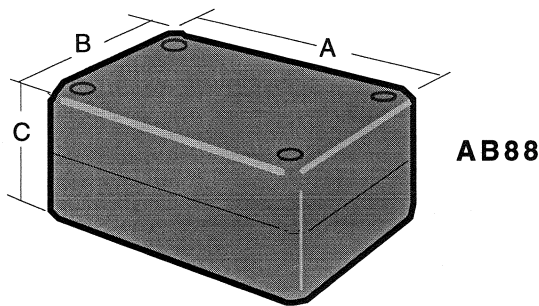
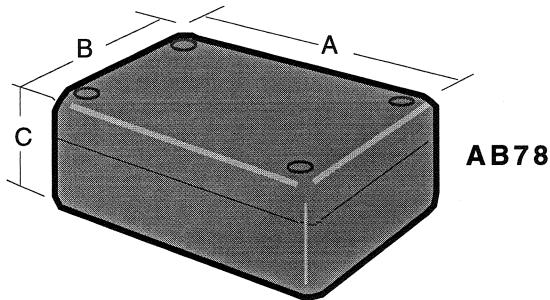
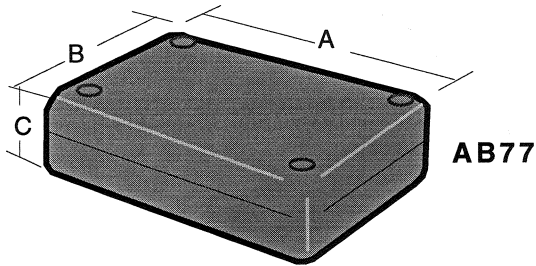


## ADAPTABLE ABS BOXES

To compliment our extensive range of cases, we have added a further three versatile and attractive boxes in ABS with a matt finish. Their rugged yet simple features make them unobtrusive and ideal for domestic, commercial and office applications.

The lid is retained by 4 self tapping screws which can be inserted from either side and can be hidden by the matching plastic covers provided.

Vertical printed circuit board slots and integral stand offs are provided in both halves of the box. Standard colours for this range are black and white but other colours may be available on request.



Type	Overall dimensions (mm)			Nominal Wall Thickness
	A	B	C	
AB77	178	122	36	3.0
AB78	178	122	55	3.0
AB88	178	122	74	3.0