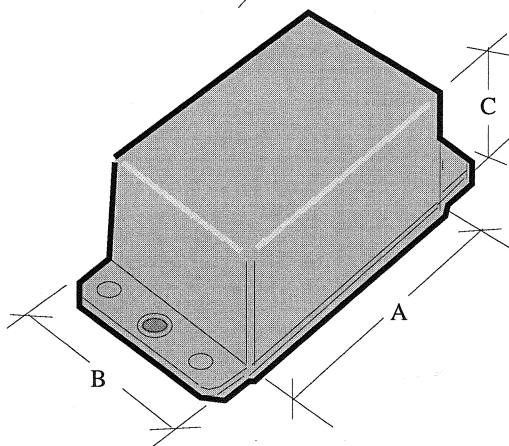
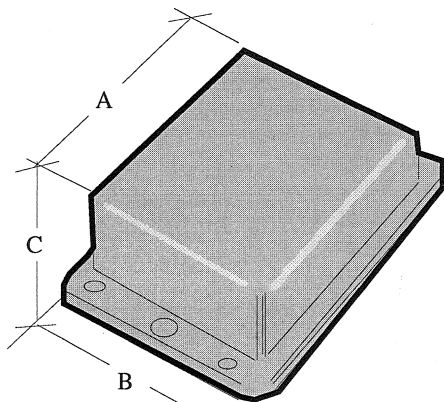


## GENERAL PURPOSE BOXES WITH BASE

These boxes are moulded in ABS to give maximum strength but can be easily punched or drilled for individual requirements and to produce a professional looking end product. They are available in black or white as standard but other colours may be available on request should you require to add that individual touch to your products. The base is loose fitting but may be secured in place when the box is clamped to a panel or bulkhead through the two fixing holes. Alternatively the base may be riveted to the box flange to form a tamperproof housing.



Part No.	Overall Dimensions mm			Nominal Wall Thickness
	A	B	C	
<b>PBL2</b>	<b>84</b>	<b>72</b>	<b>32</b>	<b>2.0</b>

Overall Length 105mm  
Fixing centres 94mm. 5.0mm diam. holes

Part No.	Overall Dimensions mm			Nominal Wall Thickness
	A	B	C	
<b>PBL3</b>	<b>84</b>	<b>64</b>	<b>46</b>	<b>2.0</b>

Overall Length 116mm  
Fixing centres 42 x 100mm. 4.0mm diam. holes