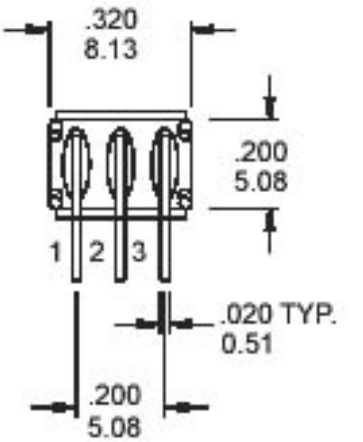
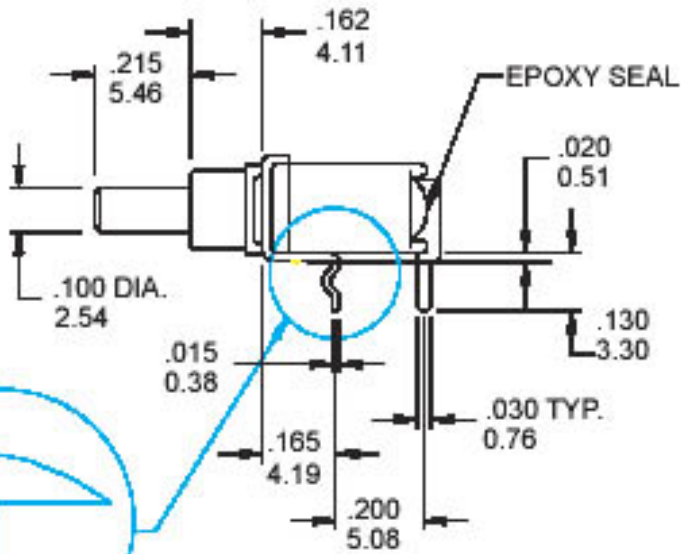
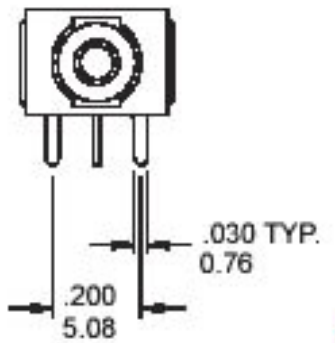


# SPDT



Model No.	Switching position	
ES-22A	On	Mom
Term. Comm.	2-1	2-3

SCHEMATIC



ES-22A-R-S/ ES-22A-R