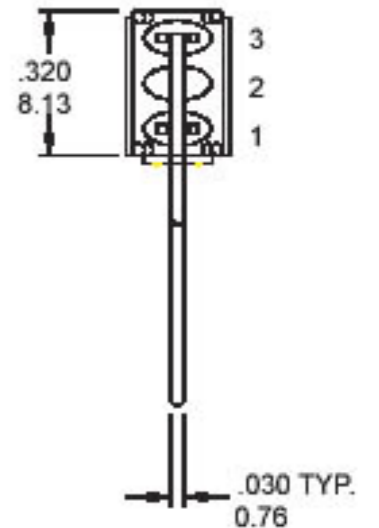
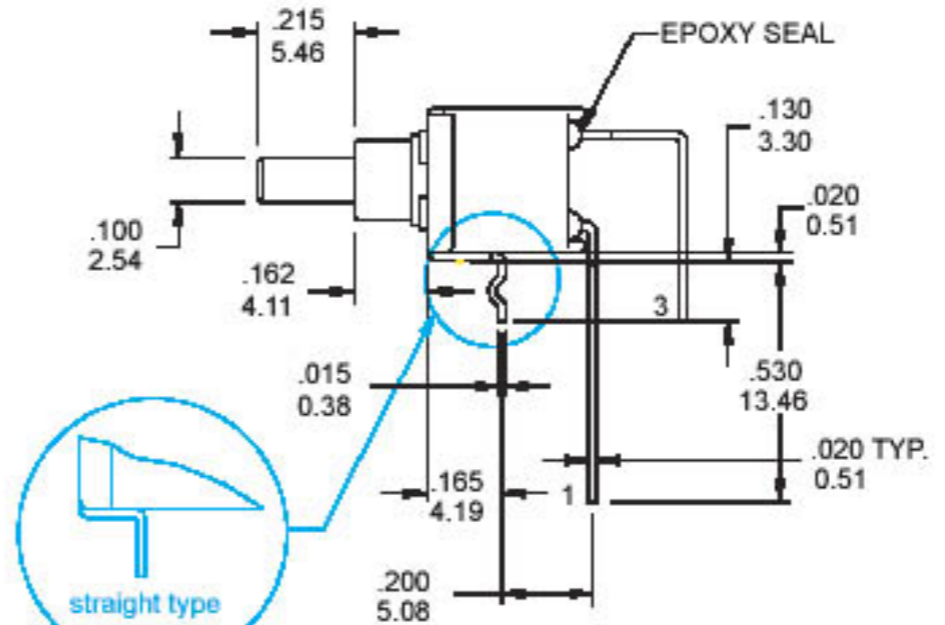
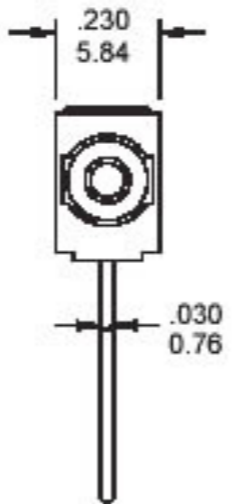


SPST



SCHEMATIC

Model No.	Switching position	
ES-21B	off	Mom
Term. Comm.	open	1-2



ES-21B-R-S/ ES-21B-R