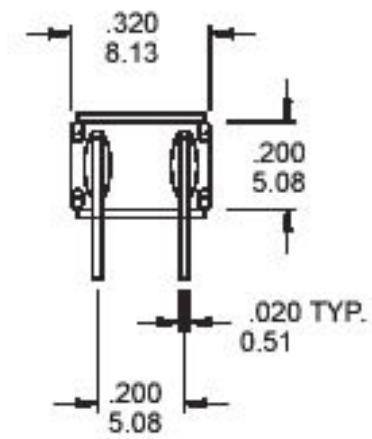
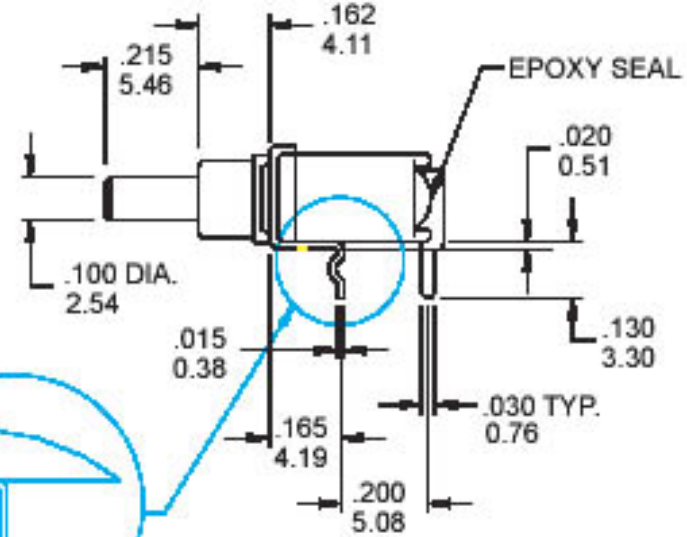
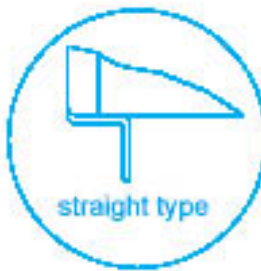
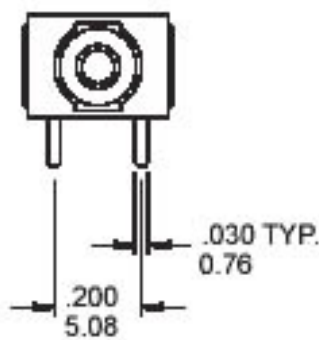


SPST



Model No.	Switching position	
ES-21A	off	Mom
Term. Comm.	open	1-2

SCHEMATIC



ES-21A-R-S/ ES-21A-R