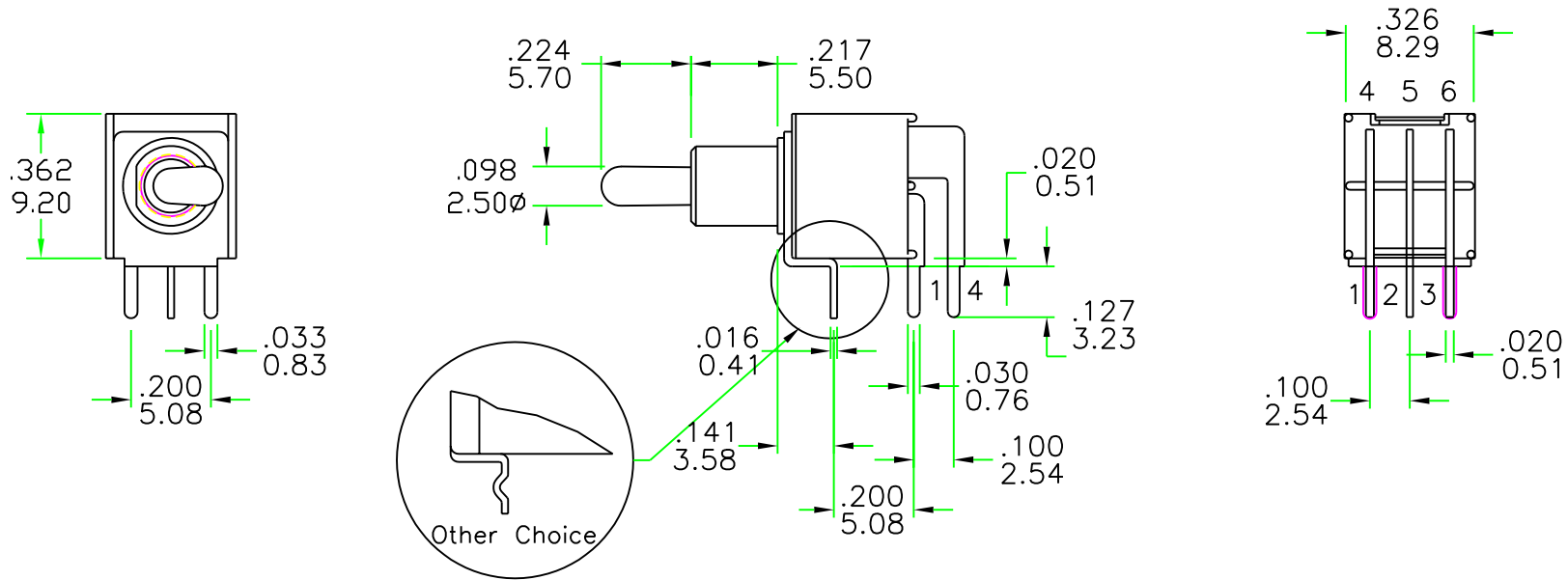
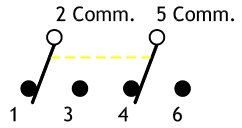
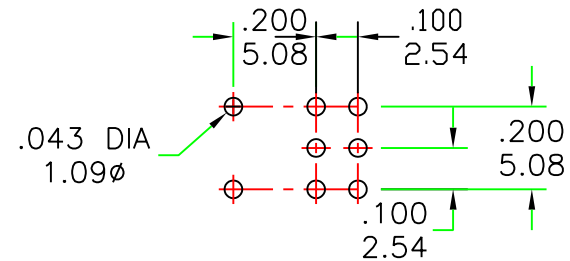
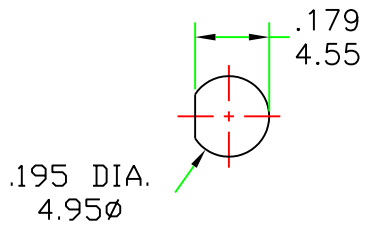


TS-7-TE1DIMENSIONS



PANEL MOUNTING

P.C. MOUNTING



model no.	switching position		
TS-7	on	none	on
TS-7A	on	off	on
TS-7B	on	none	(on)
TS-7H	(on)	off	(on)
TS-7I	on	off	(on)
term comm.	2-3,5-6	open	2-1,5-4

schematic	nominal tolerance	
	range	tolerance
1-4	0-1	±0.10
4-16	1-4	±0.20
	4-16	±0.30

part no. TS-7-TE1
dwg no. SW-TS-7-001
part name.
TS40-T/DPDT Sub-Miniature Toggle Switches

SH 興瀚企業股份有限公司
Salecom. Electronics Co., Ltd

material	
check	
drawer	JESSICA
date	2006/11/23

scale 2:1	
unit m/m (inch)	rev. 2