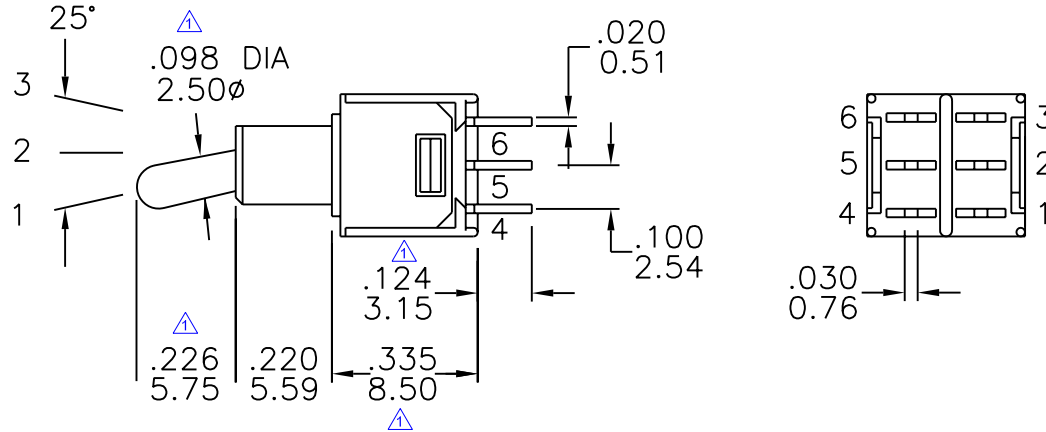
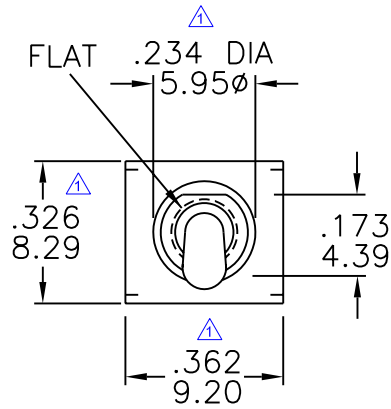
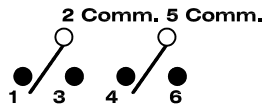


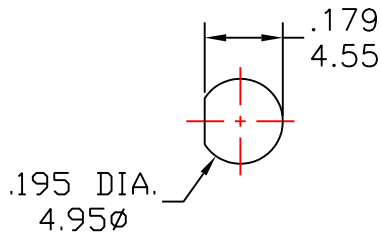
# TS-5-TE1C DIMENSIONS



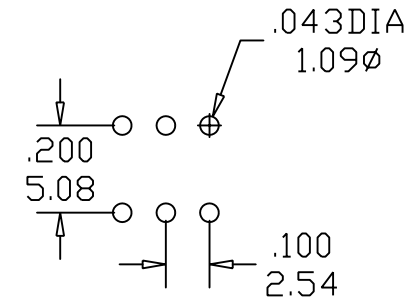
## Schematic



## PANEL MOUNTING



## P.C. MOUNT DIAGRAM



Model No.	Switching Position		
TS-5	ON	NONE	ON
TS-5A	ON	OFF	ON
TS-5B	ON	NONE	(ON)
TS-5H	(ON)	OFF	(ON)
TS-5I	ON	OFF	(ON)
Term. Comm.	2-3,5-6	OPEN	2-1,5-4

2					General Tolerance		Part no. TS-5-TE1C	SH 興瀚企業股份有限公司 SALECOM. ELECTRONICS CO., LTD.	Approved	
	1	1	修正錯誤尺寸	07.01.04	Range	Tolerance				
0 ~ 1					±0.10	Part Name.				
0					NEW	03.10.28	1 ~ 4	±0.20	TS40-T/DPDT Sub-miniature Toggle Switches	Scale 2:1
Zone	Rev.	Description	Reviser	Date	4 ~ 16	±0.30				