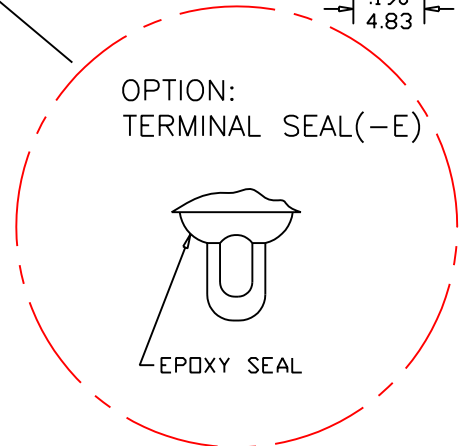
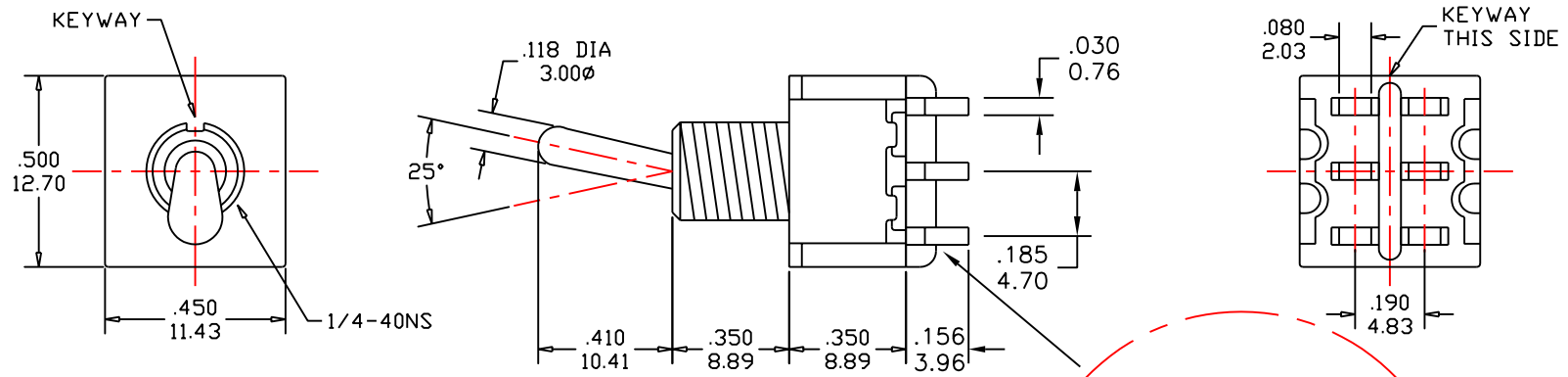
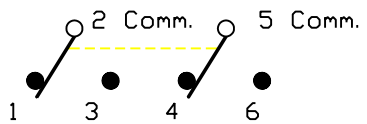
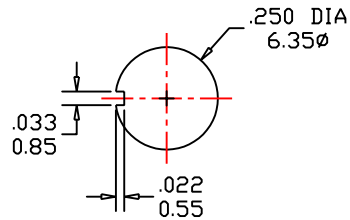


T8011-SEB DIMENSIONS



PANEL MOUNTING
1/4 IN. BUSHING



Schematic

Model No.	Switching Position			NOMINAL TOLERANCE		PART NO. T8011-SEB	SH 興瀚企業股份有限公司 SALECOM. ELECTRONICS CO.,LTD	MATERIAL	
				Range	Tolerance				DWG NO. SW8011-001
8011	ON	NONE	DN	0 ~ 1	±0.10	PART NAME T80-T/DPDT Miniature Toggle Switches	SCALE 2:1		DRAWER Jessica
8011A	ON	NONE	(DN)						
8012	ON	OFF	DN	1 ~ 4	±0.20		UNIT m/m (inch)	REV. 1	DATE
8012A	(DN)	OFF	(DN)						
8012B	ON	OFF	(DN)	4 ~ 16	±0.30	REV. 1	DATE	2006/09/25	
Term. Comm.	2-3, 5-6	OPEN	2-1, 5-4						