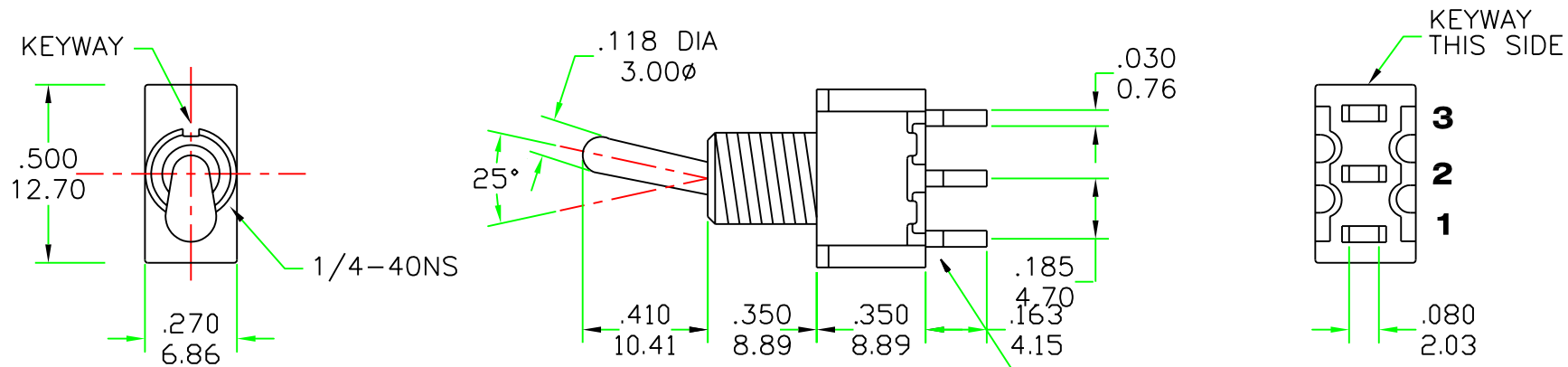
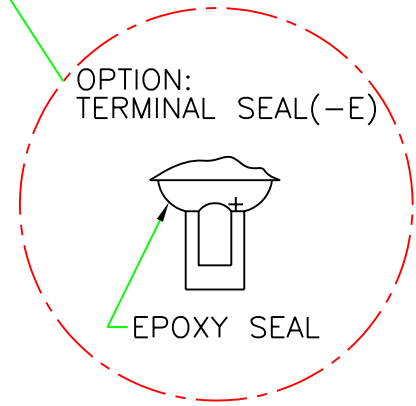
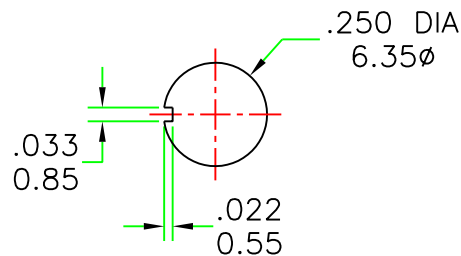


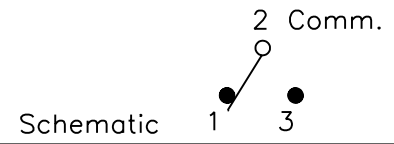
T8013-SEB DIMENSIONS



PANEL MOUNTING
1/4 IN. BUSHING



model no.	switching position		
T8013	on	none	on
T8013A	on	none	(on)
T8014	on	off	on
T8014A	(on)	off	(on)
T8014B	on	off	(on)
term comm.	2-3	open	2-1



Schematic

part no. T8013-SEB
dwg no. SWT8013-001
part name.
T80-T/SPDT Miniature Toggle Switches

SH 興瀚企業股份有限公司
Salecom. Electronics Co.,Ltd

scale 2:1		drawer	Jessica
unit m/m (inch)	rev. 1	date	2006/10/18

material	
check	