

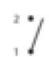
Products


TECNO series | Single-pole switch 10A quick connection 4.8 black body black-red rocker





PRODUCT CODE: TECNO11131191000







sample image

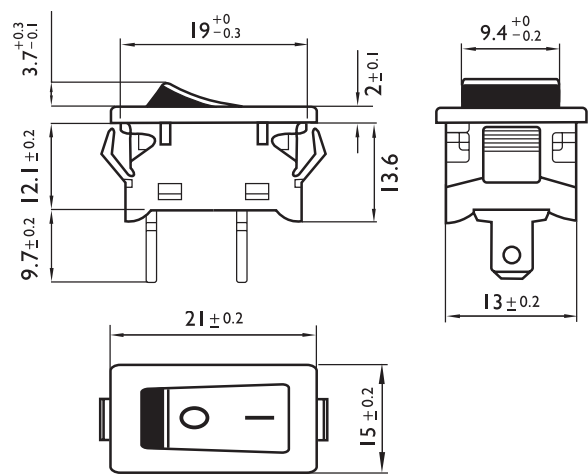
Wiring diagrams 

Terminal type 

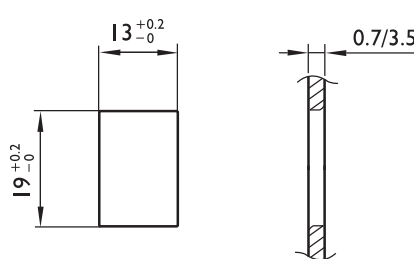
Body colour	
Actuator colour	
Marking	
Marking colour	

Rating 10 (4) A / 250 VAC 10 / 100 A / 250 VAC 6 (4) A / 250 VAC - 5E4 T125/55 °C 15 A / 125 V 12 A / 250 V T65 °C	Approvals  ENEC  cURus  CE  RoHS
--	---

Dimensions (mm)



Cut out (mm)



Termination

