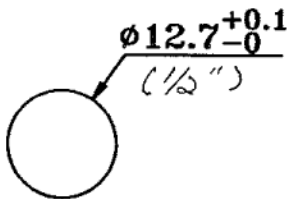

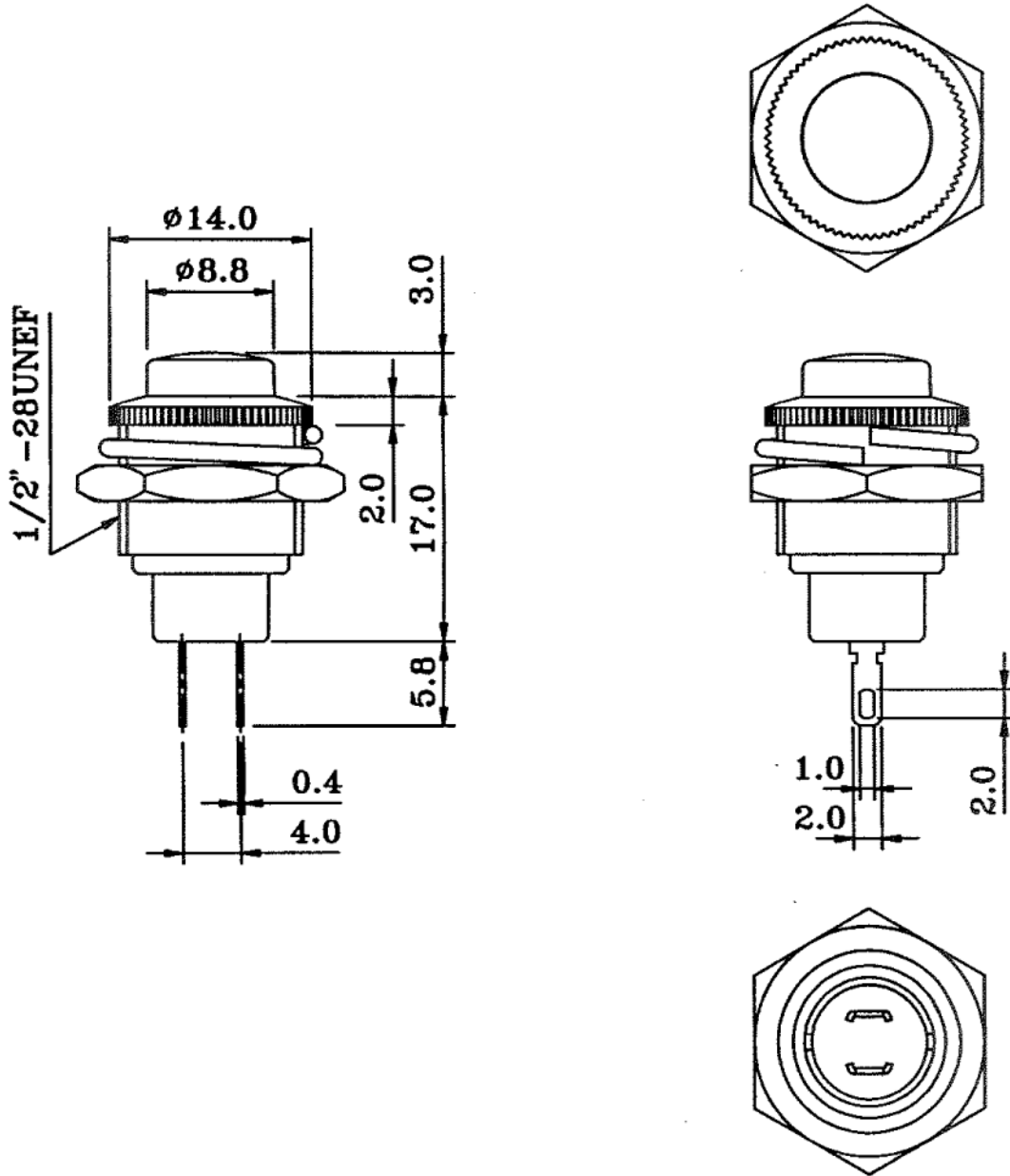


Rating	3A 125V, 1.5A 250V AC	Mount Hole	Circuit Structure
Contact R	50m ohm Max.		
Insulation R	DC 500V 100M ohm Min.		
Dielectric Strength	AC 1000V 1 minute		
Circuit	2P SPST OFF-(ON)		



Spec-No.	R13-502MA		No.	Note	Date	Name
Date						
Drawing	Check	Approval				
王伯山		李景恒				
MAY-70 196		5/20-58				