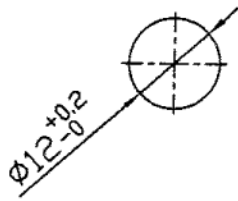
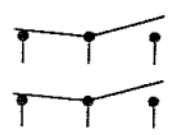
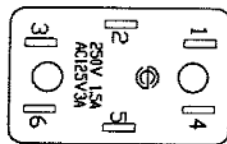
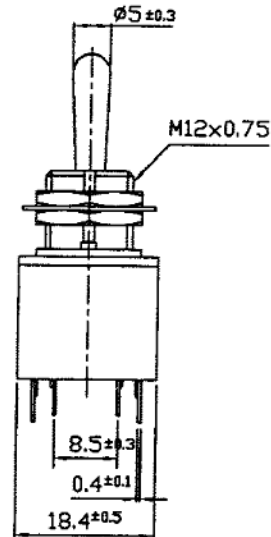
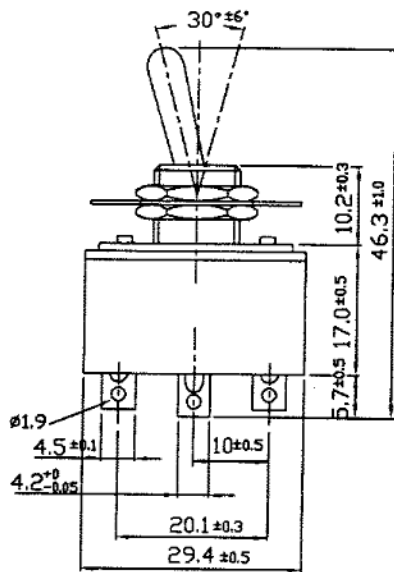
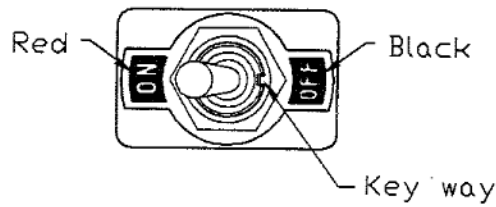


Rating	3A 125V AC/1.5A 250V AC	Mount Hole	Circuit Structure
Contact R	50m ohm Max.		
Insulation R	DC 500V 100M ohm Min.		
Dielectric Strength	AC 1000V 1 minute		
Circuit	6P DPDT ON-ON		



C1\WK12\R13-2.DWG

Date		Name		Descriptions	
08/16/01		張曉斌		C8\201\13-411\13-4(外) (SZ PDU)	
△	Date	Name	Descriptions		
Drawing	Check	Approval	SCI No.	Model Name	
張曉斌		張曉斌	Customer No.	Model No.	R13-4
08/16/01		8/22/01	Unit	mm	SHIN CHIN INDUSTRIAL CO., LTD.