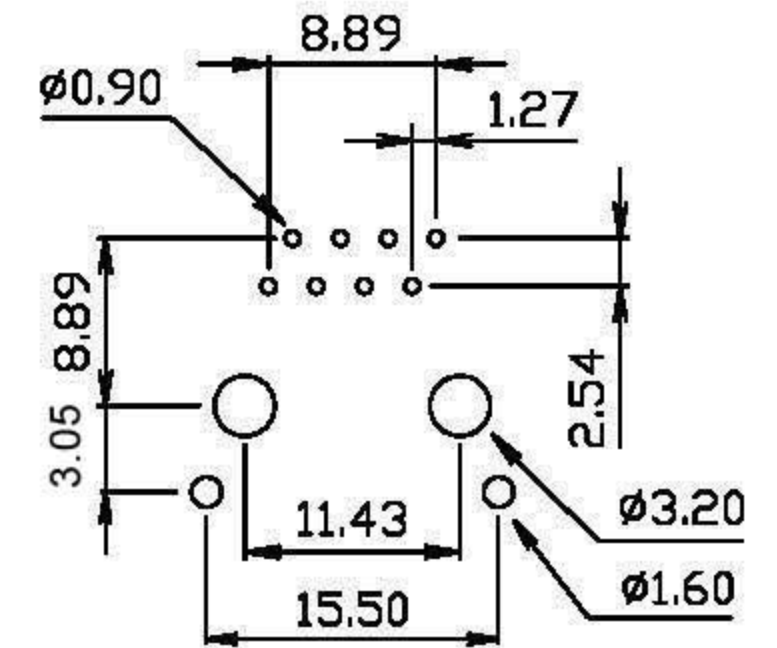
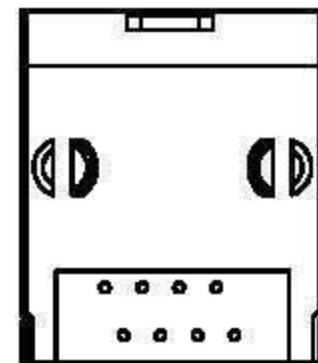
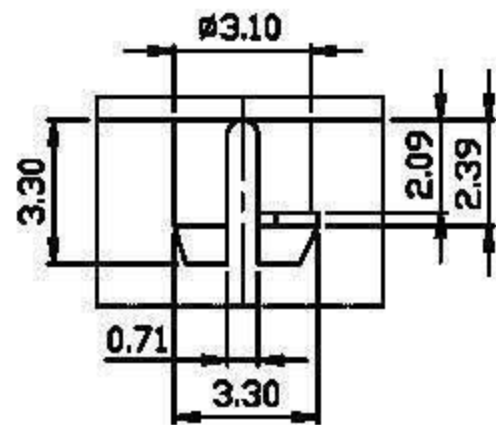
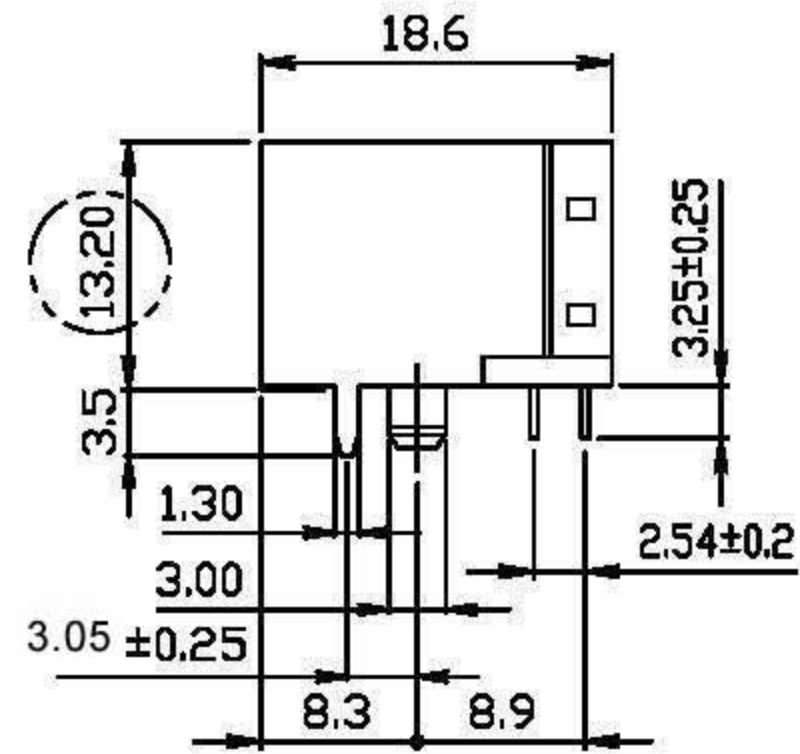
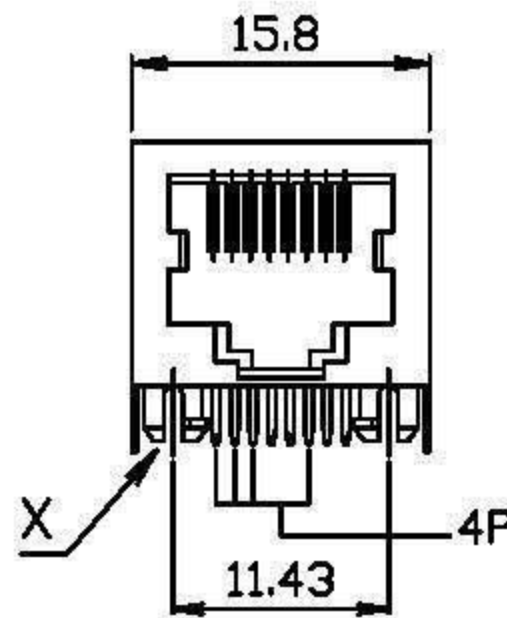


PRODUCT NO.	HOUSING P/N	SUB-ASS'Y P/N	SHIELD P/N	'A' DIM.	REMARK

MATERIALS:

- HOUSING-PBT POLYESTER UL94V-0 MIXED GLASS FIBER, STANDARD COLOR-BLACK
- CONTACTS-0.45mm DIA. ROUND PHOS-BRONZE PLATED WITH HARD GOLD.
- SHIELD-0.25mm THICK COPPER ALLOY, PLATED WITH TIN-LEAD.

CAVITY CONFIRMS TO FCC RULES AND REGULATIONS PART 68,SUBPART F.



PC Board Layout Ref.

DO NOT SCALE DRAWING	TOLERANCES UNLESS OTHERWISE NOTED	INCH	MM	DR. M.L.HUANG	DATE NOV-09 '00
THIRD ANGLE PROJECTION	LINEAR	MM 00 ± .01 000 ± .005 0000 ± .002	INCH 0.0 ± 0.25 0.00 ± 0.13 0.000 ± 0.05	CK'D M.CHANG	NOV-09 '00
MM INCH	ANGLE ± 0° 30'	RADII	+ 0.40 - 0.15	APP'D	



TITLE		8POSITION SHIELDED LOW PROFILE SIDE ENTRY PCB JACK	
SCALE	SIZE	DWG.NO.	REV. SHEET
		X98139SC	1 1