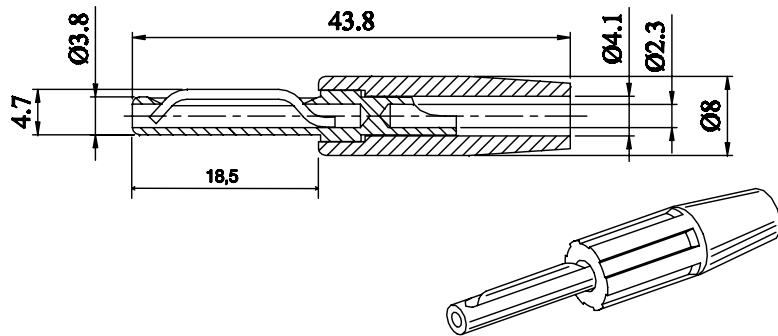


A standard 4mm plug, with a rigid, screw on acetal body which comes in a range of colours for easy identification.  
 This range of product caters for a broad range of test instrumentation and speaker applications.  
 The plug pin comes with a solder bucket for secure cable fixing.

MATERIAL HOUSING : Acetal  
 C 27021 R  
 SOCKET : Brass, BS 2874  
 silver plate  
 RATING : 10 Amps  
 MAX CONTACT RESISTANCE : 10m  $\Omega$  for mated  
 plug and socket  
 VOLTAGE : 50 Volts max

**Dimensions**



Deltron No	Type
550-0100	BLACK
550-0200	BLUE
550-0300	BROWN
550-0400	GREEN
550-0500	RED
550-0600	WHITE
550-0700	YELLOW

CONVERTED FROM PS0400 ISS4 (18.12.97) IN JAN 2003

DrgNo 550 SERIES TITLE STANDARD 4mm PLUG – SOLDER BUCKET ALL DIMENSIONS IN MM ANGLS IN DECIMAL DEGREES

ISSUE <b>5</b>	GENERAL SPECIFICATION FOR 550 SERIES	CUSTOMER		FILTER REF		Scale: NTS	Sheet 1 / 1
		Aprvd Date 04/09/07	Aprvd By MC	Drwn by BS			