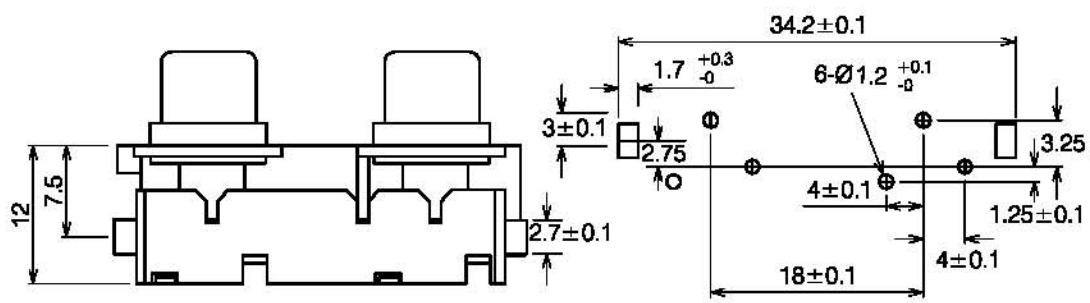


VARIANTS

NO	COLOUR	REF Ni	REF Au	
1	WHT	RED	R22-684061	R22-684062
2	BLK	BLK	R22-684063	R22-684064
3	BLK	RED	R22-684065	R22-684066
4	RED	WHT	R22-684067	R22-684068
	TOP	BOT		
	A	B		



NOTE BASE AND 'A'
ALWAYS SAME COLOUR

PC LAYOUT
(PRINT SIDE)

No	PART	MATERIAL	FINISH
1	BASE	ABS	A.M.
2	COVER	ABS BLACK	A.M.
3	CONDUCTOR A	B3R2A-H 10.5	NI OR Au
4	CONDUCTOR B	B3R2A-H 10.5	NI OR Au
5	EARTH TERMINAL	B3R2A-H 10.5	NI OR Au
6	WASHER	ABS	A.M.

DIMENSIONS IN MILLIMETERS		
3rd ANGLE PROJECTION		
SCALE: N.T.S		
DO NOT SCALE		

ISSUE	AMEND	DATE
3	WAS R14B-68406	14/08/09
2	WAS FC68406	24/07/09
1	1st DRAWN	24/01/80

DRAWN XHZ	MATERIAL: AS TABLE
CHECKED PCS	FINISH: AS TABLE

TOLERANCES
NO DECIMAL PLACE ± 0.3
1 DECIMAL PLACE ±
2 DECIMAL PLACES ±
DIAMETER HOLES ±
ANGLES ± 1/2 DEGREE
(UNLESS OTHERWISE STATED)

TITLE: RCA PHONO CONNECTOR (4 WAYS)
DRWG NO: R22-68406

