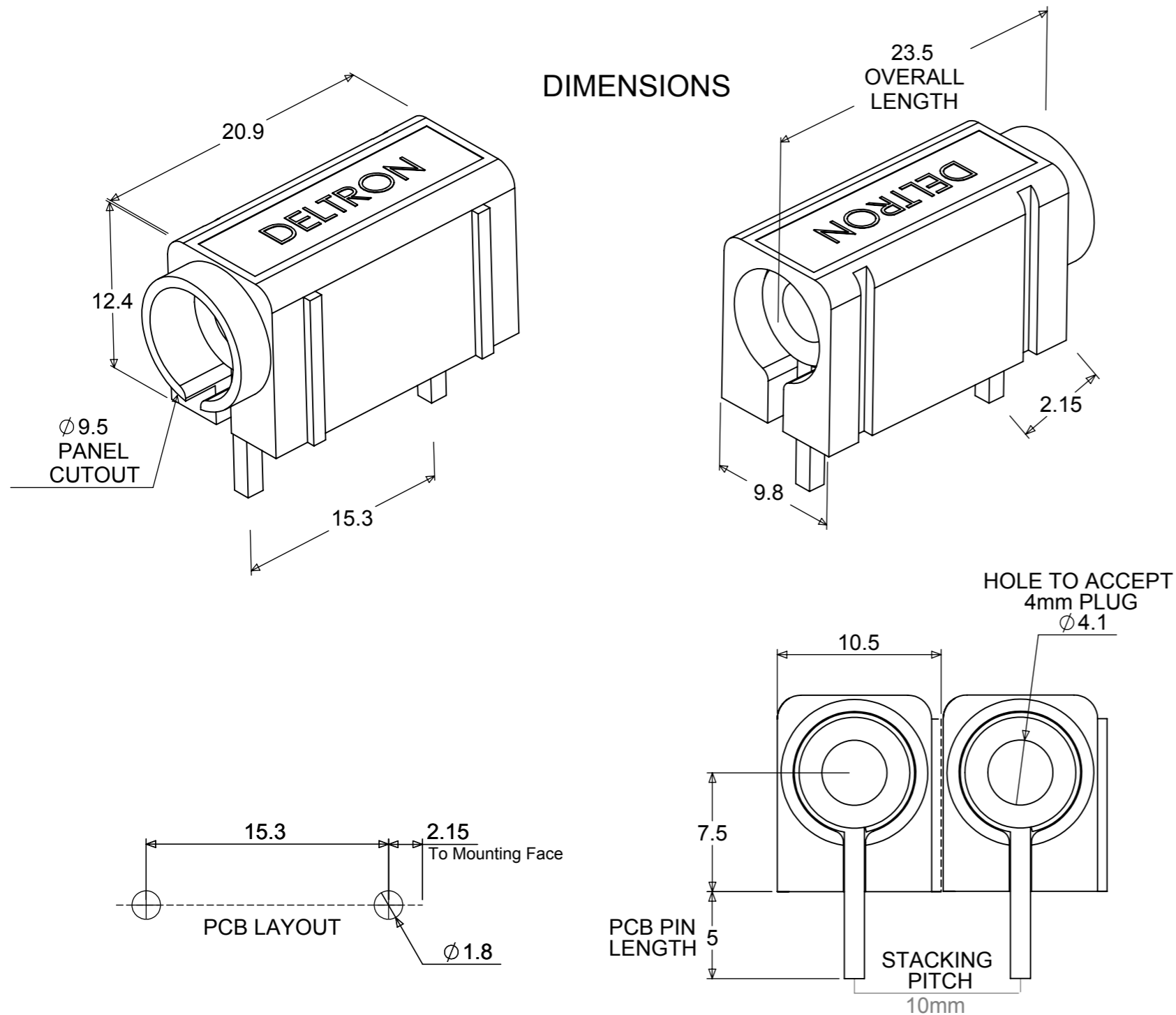


A single insulated 4mm socket, for direct mounting onto printer circuit boards. has grooves in the outer acetal housing which provide side stacking alignment.



Insulant	Acetal-LG chemical LUCCEL N127-LD/DN127- LD	Acetal - C27021 R
Pin	Brass silver plate	Brass Micron Silver Plated Deltron Spec 09-001
Bush	Brass silver plate	Brass Micron Silver Plated Deltron Spec 10-001
Amps	10A	
Nominal working Voltage	250 V RMS	
Contact Resistance	10mΩ	
Maximum Temperature RTI	+ 110°C	
Minimum temperature	- 25°C	
Recommended Temperature	10A@55°C	
Voltage Breakdown	5000v	
Conductor size	1.5mm ²	
Colours	ORDER CODE	
Black	571-0100	
Blue	571-0200	
Brown	571-0300	
Green	571-0400	
Red	571-0500	
White	571-0600	
Yellow	571-0700	

90° PCB MOUNTED INSULATED SOCKET-SINGLE

RoHS
2002/95/EC
Compliant