

A fully screened robust range of DIN connectors for use in instrumentation and audio applications. Available in two finishes; bright nickel and non-reflective electrically conductive matt black. Robust construction incorporating cable grip and strain relief.

Manufactured to DIN 41524, 45322, 45326, 45327 and 45329.

MATERIALS

HOUSING

: Zinc Alloy
heavy nickel plated
over copper

MOULDING

: Nylon

CONTACTS

: Brass
Silver Plated

CABLE CLAMP

: Mild Steel
zinc plated

GROMMET

: Black P.V.C.

ELECTRICAL RATINGS

Working Voltage

100 Vd.c. or a.c. peak

Test Voltage

1000 Vd.c.

Insulation Resist.

$10^{11} \Omega$ min at 100 Vd.c.

Current Rating

4 A

Contact Resist.

10 m Ω max

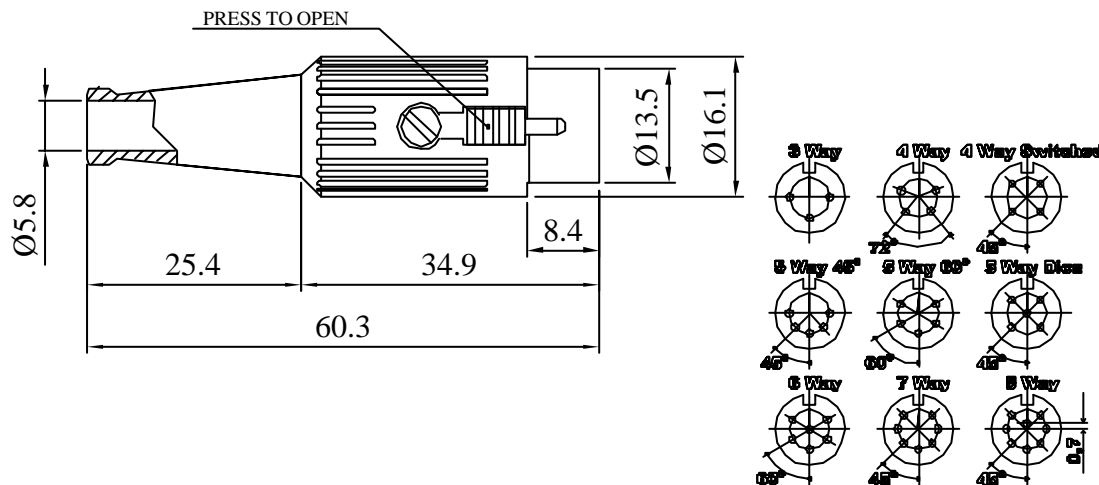
Capacity (mated)

3 pF

Temp. Range

-25°C to +70°C

Dimensions



Type	Deltron No
3 Way	590-0300
4 Way	590-0400
4 Way Switched	590-0410
5 Way 45°	590-0500
5 Way 60°	590-0510
5 Way Dice	590-0520
6 Way	590-0600
7 Way	590-0700
8 Way	590-0800

CONVERTED FROM PS0458 ISS4 (08.07.96) IN JAN 2003

DrgNo 590 SERIES		TITLE SCREENED DIN CONNECTOR LOCKABLE PLUG (NICKEL)			ALL DIMENSIONS IN MM ANGLES IN DECIMAL DEGREES	
DELTRON Components		GENERAL SPECIFICATION FOR 590 SERIES		CUSTOMER		FILTER REF
ISSUE 5		Aprvd Date 06/10/03		Aprvd By MC		Drwn by BS
		Scale: NTS		Sheet 1 / 1		