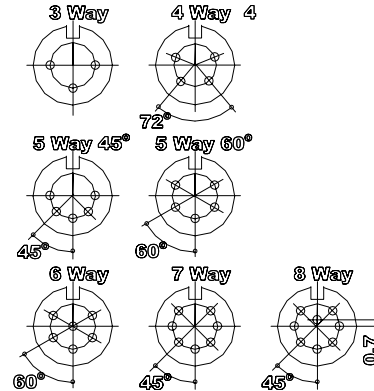
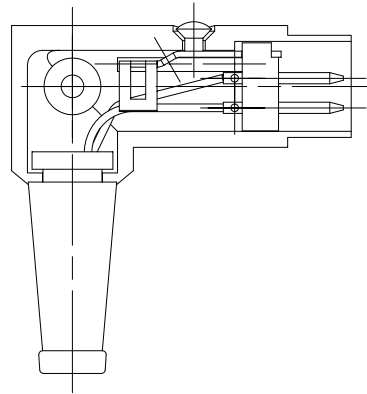
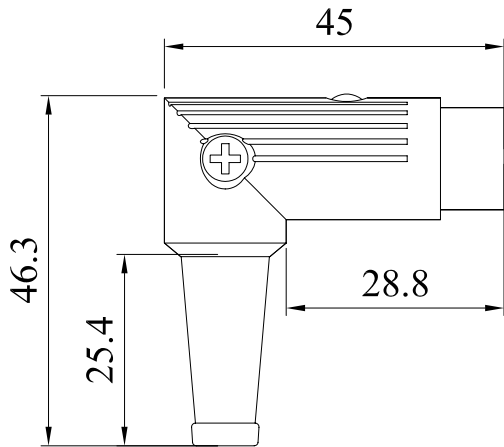
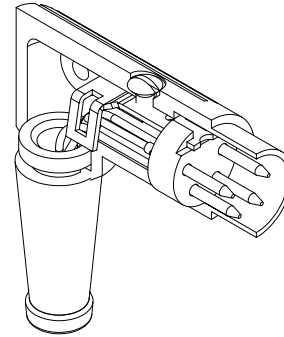
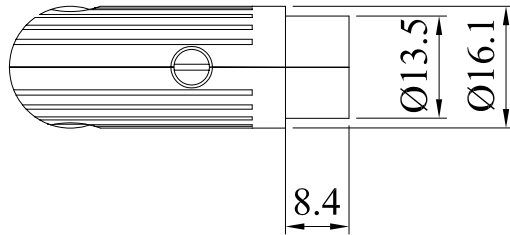


A fully screened robust range of 90° DIN connectors for use in instrumentation and audio applications. Available in bright nickel. A robust construction incorporating cable grip and strain relief.

Manufactured to DIN 41524, 45322, 45326, 45327 and 45329.

DIMENSIONS



MATERIALS

HOUSING

: Zinc Alloy
heavy nickel plated
over copper

MOULDING

: Nylon

CONTACTS

: Brass
Silver Plated

CABLE CLAMP

: Mild Steel
zinc plated

GROMMET

: Black P.V.C.

ELECTRICAL RATINGS

Working Voltage

100 Vd.c. or a.c. peak

Test Voltage

1000 Vd.c.

Insulation Resist.

10¹¹Ω min at 100 Vd.c.

Current Rating

4 A

Contact Resist.

10 mΩ max

Capacity (mated)

3 pF

Temp. Range

-25°C to +70°C

Type	Deltron No
3 Way	620-0300
4 Way	620-0400
5 Way 45°	620-0500
5 Way 60°	620-0510
6 Way	620-0600
7 Way	620-0700
8 Way	620-0800

DrgNo 620 SERIES

TITLE SCREENED 90° DIN CONNECTOR STANDARD PLUG

ALL DIMENSIONS IN MM
ANGLES IN DECIMAL DEGREES



ISSUE 1

GENERAL SPECIFICATION
FOR 620 SERIES

CUSTOMER

FILTER REF

Aprvd Date 23/09/04

Aprvd By MC

Drwn by BS

Scale: NTS

Sheet 1 / 1

