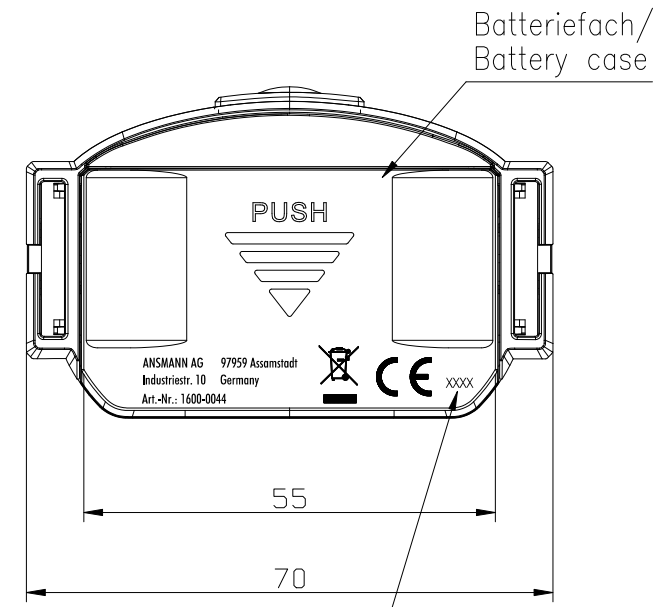
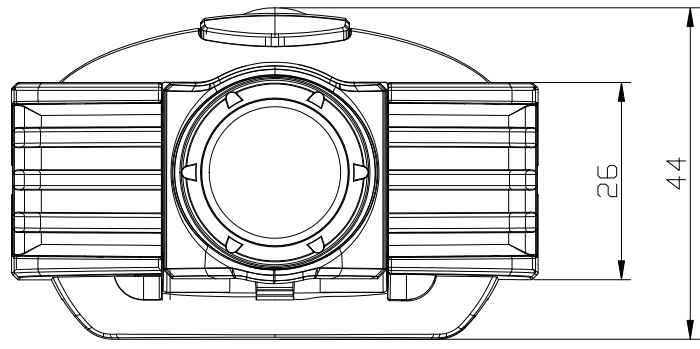
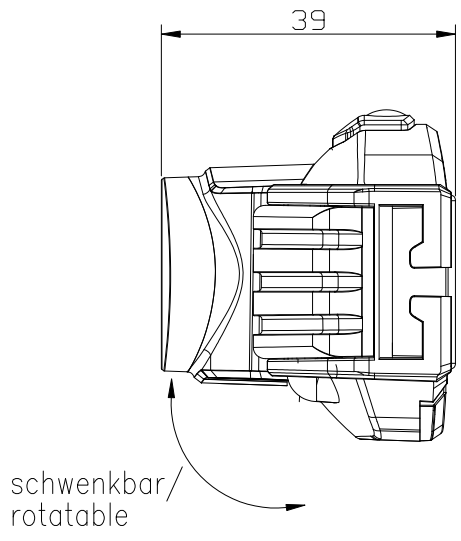
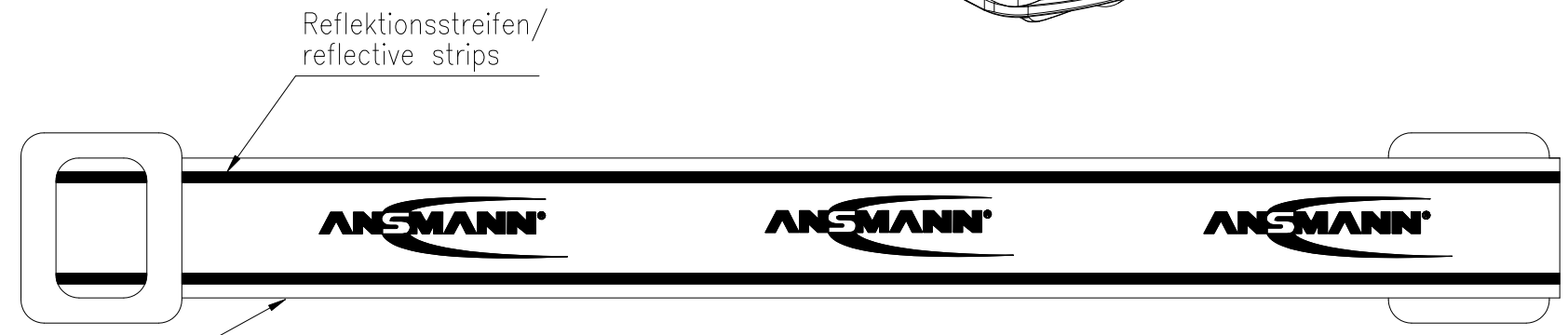
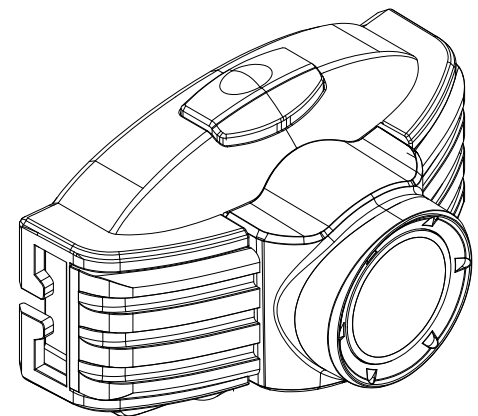
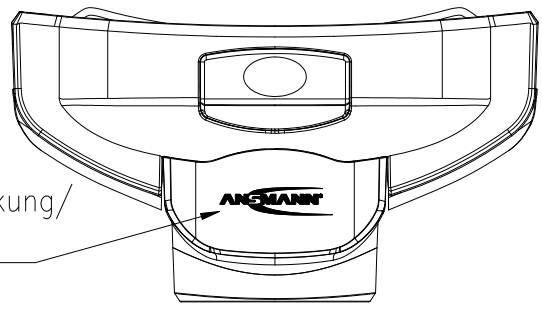


The supplier acknowledges that, with the acceptance of the drawing, he is in a position to manufacture the illustrated part in accordance with the drawing in reproducible form and series production. Through the selected manufacturing processes no impairments will arise in the material and structure which could subsequently lead to an impairment of the component. Verbal agreements over and above that are not valid. Deviations from this rule must be written and must be signed by the purchaser.

This drawing may not be copied, reproduced or made available to third parties in any way whatsoever without or prior written approval.



Verschlüsseltes Produktionsdatum/
date code (coded production date)



Technische Daten/ :
technical data

- Leuchtmittel/ : 1.8W Professional LED
illuminant
- Lebensdauer/ : ca./approx. 50.000h
Life-time
- Zellenzahl/ : 3x AAA Micro, im Lieferumfang enthalten/
number of cells 3x AAA Micro, included
- Sichtweite/ : 200m
visual range
- Leuchtdauer/ : 15h
operating time
- Helligkeit/ : 150 Lumen
brightness 4000 Lux
- Schutzart/ : IP54
protection
- Gehäuse/ : Kunststoffgehäuse, schwarz
housing plastic housing, black
- Gewicht/ : 82.5g mit Batterien/
weight 82.5g with batteries
- Verpackung/ : Blisterverpackung/
package blister package
- Approbation/ : CE
approval

Verwendungsbereich/Application range für Anfrage/for inquiry ANB201257				Zul. Abweichung/ Allowable deviation	Oberfläche/ Surface	Maßstab/Scale (DIN A3): 1:1	Gewicht/Weight	
				general tolerances DIN ISO 2768-m		Werkstoff/Work material, Modell-Nr.		
				2013	Datum/Date	Name		
				Erstellt/ Drawn by	04.04.13	CB		
V4	Art.-Nr. at printing changed	22.01.16	SIT					Zeichnungsname/Drawing name LED-Stirnlampe FUTURE/ LED-Headlight FUTURE
V3	printing changed	19.01.15	SIT					
V2	date code changed and address added	21.01.14	CF					
V1	technical data updated	29.08.13	CB					
V0	---	04.04.13	CB					
Version	Änderung/Change	Datum/Date	Name	Ursprung/Origin	Proj. XX/XX/XX	Zeichnungsnummer/Drawing number Artikelnummer/Part number	1600-0044	Blatt/ Sheet 1
Ersatz für/Replaced by						Ersatz durch/Replacement through:		