

Model No.: GPA76F

Type : Mercury and Lead Free Button Cell

Chemical System : Zinc/Manganese Dioxide

Nominal Voltage : 1.5V

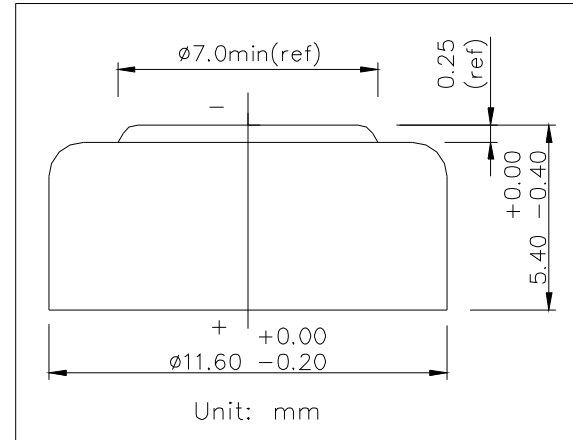
Nominal Dimension : $\Phi 11.6 \times 5.4$ mm

Applications : Calculator, hearing, lighter, camera,...etc.

Average Weight : 1.9g

Shelf Life : Not less than 90% of the service capacity within first year storage at $20 \pm 2^\circ\text{C}$ $55 \pm 20\%$ RH; Warranty 1 year.

Date Code : Unless otherwise specified, each cell will carry a numeric year code and an alphabetical month code.

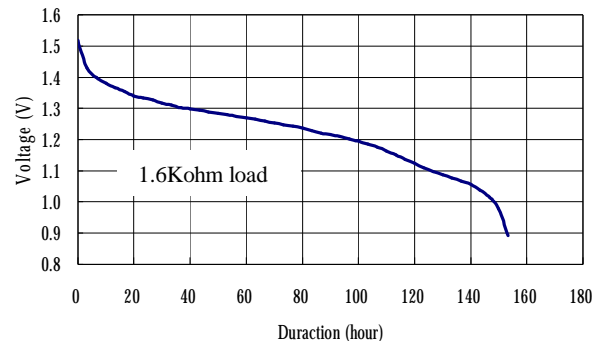


Close Voltage : **Circuit** : 1.3V(min.)(load resistor 100 Ω at 20 $^\circ\text{C}$ for 0.1 to 2 seconds)

Nominal Life : **Service** : 140hrs (load 1.6k Ω to cut off 1.0V under 20 $^\circ\text{C}$)

Average Capacity : **Service** : 110mAh (load 1.6k Ω to cut off 1.0V under 20 $^\circ\text{C}$)

Typical Discharge characteristics at 20 \pm 2 $^\circ\text{C}$



Cross References:

IEC	Maxell	Duracell	Others
-----	--------	----------	--------

LR44	LR44	PX76A	V13GA, AG13
------	------	-------	-------------