

1

2

3

4

5

6

7

8

A

A

B

B

C

C

D

D

E

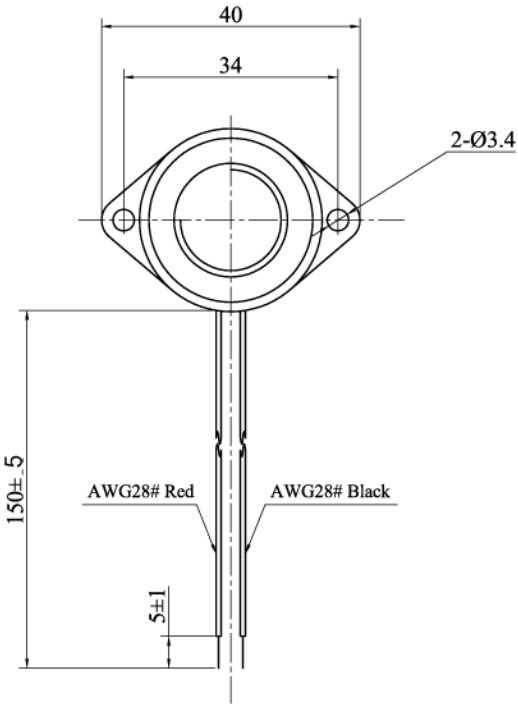
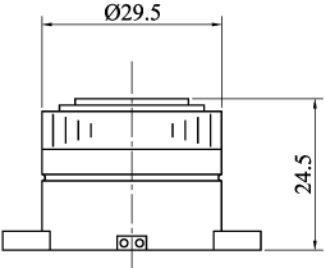
E

F

F

SPECIFICATION

- 1. Rated Voltage12 VDC
- 2. Operating Voltage3~24 VDC
- 3. Max. Rated Current15mA/12VDC
- 4. Resonant Frequency3.7±0.5KHz
- 5. Min. Sound Pressure Level.....90dB/12VDC/30cm
- 6. Tone Nature.....Continuous
- 7. Shell Material/ColorABS/Black
- 8. Operating Temperature-20 ~ +60°C
- 9. Store Temperature-30 ~ +70°C
- 10. Weight15g



No.		DESCRIPTION		APPROVED	DATE	EPI-R2910AL	
TOLERANCES UNLESS NOTED OTHERWISE X ± .XX ± .XXX ± 90° FORMED ±3° ANGLES -1°		APPROVALS		DATE	UNIT		
FIRST ANGLE PROJECTION		DRAWN				mm	SHEET
		CHECKED					
		APPROVED			03.04.12	NOT TO SCALE	

1

2

3

4

5

6

7

8