

1

2

3

4

5

6

7

8

A

A

B

B

C

C

D

D

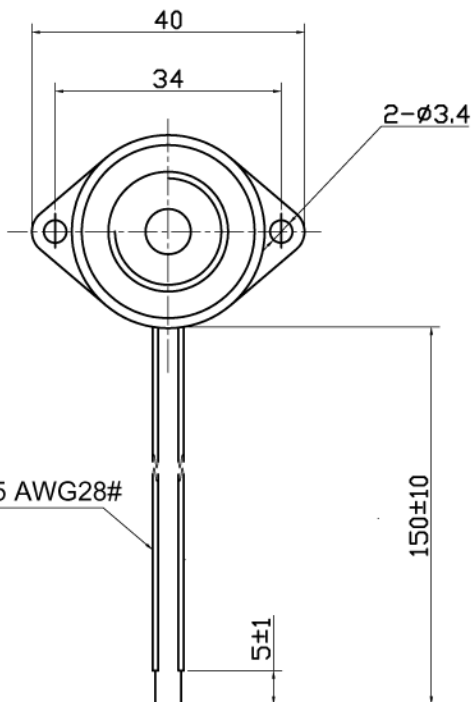
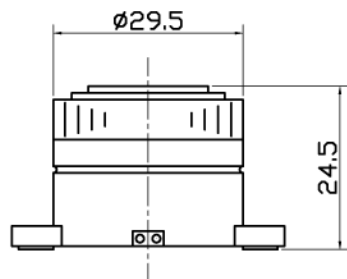
E

E

F

F

SPECIFICATION



- 1. Rated Voltage12VDC
- 2. Operating Voltage3~24VDC
- 3. Max. Rated Current15mA at 12VDC
- 4. Resonant Frequency3.7±0.5KHz
- 5. Min. Sound Pressure Level.....85dB at 12VDC/30cm
- 6. Tone NatureSlow Pulse
- 7. Case MaterialABS
- 8. Operating Temperature-20 ~ +60°C
- 9. Store Temperature-30 ~ +70°C
- 10. Weight15g

No.		DESCRIPTION		APPROVED	DATE	EPI-R2912L	
TOLERANCES UNLESS NOTED OTHERWISE X ± .XX ± .XXX ± 90° FILLETED ±° ANGLES -°		APPROVALS		DATE	UNIT		
FIRST ANGLE PROJECTION		DRAWN		CHECKED	mm	SCALE	
		APPROVED		03.11.20	NOT TO SCALE	SHEET	VER 1.1

1

2

3

4

5

6

7

8