

SPECIFICATION

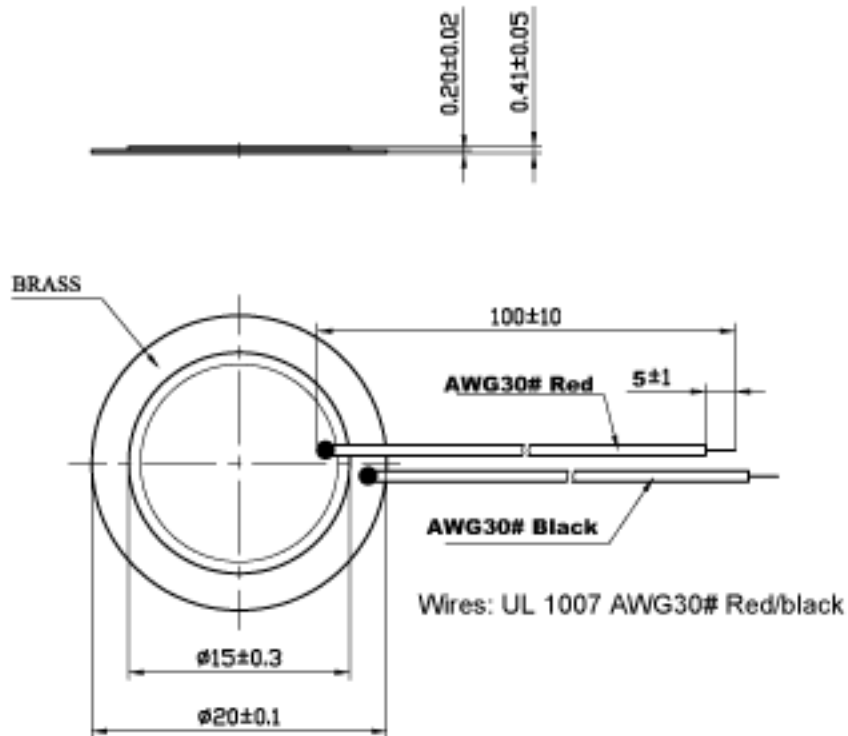
1. SCOPE

This specification is applied to the piezo-element.

2. SPECIFICATION

(at 25°C)

2.1 Resonant Frequency	:	6.0±0.5 KHz
2.2 Resonant Resistace	:	500 Ω max
2.3 Capacitance	:	13000 pF±30% at 100Hz
2.4 Input Voltage	:	30 Vp-p max
2.5 Operating Temperature	:	-20~+50°C
2.6 Storage Temperature	:	-20~+70°C
3. DIMENSION	:	as per figure



TOLERANCES UNLESS NOTED OTHERWISE

.X *
.XX ±
.XXX ±

90° FORMED +2°
ANGLES -1°

FIRST ANGLE PROJECTION



DRAWN	
DESIGN	
CHECKED	
APPROVED	
DATE	05.01.02
CONTRACT NO.	
AGENCY APPROVAL	

PART NUMBER

FT-20T-6.0A1L100

Drawing No.

CUSTOMER

JPR Electronic

CUSTOMER NO.

VER	1.0	SCALE	
UNIT	mm	SHEET	