

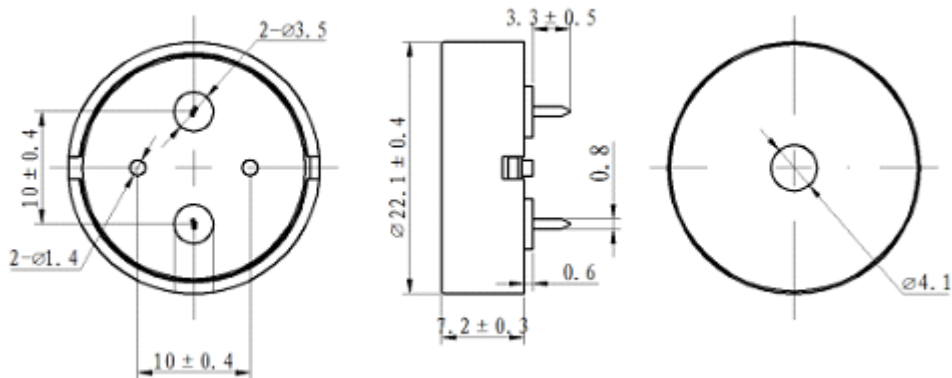
PIEZO TRANSDUCER

1	Model number	EPT-2210
2	Rated Voltage (Vp-p)	3
3	Resonance Frequency (Hz)	4000 ± 500
4	Max Input Voltage (Vp-p)	25
5	* Rated Current (mA)	≤ 3
6	Capacitance at 120Hz (pF)	15000 ± 30%
7	* Sound Output at 10cm (dB)	≥ 80
8	Operating Temperature (°C)	-20 ~ +60
9	Storage Temperature (°C)	-30 ~ +70
10	Weight (g)	2.5
11	Housing Material	PPO
12	ROHS	Yes

*Applying rated voltage (Resonant frequency, Square wave)

DIMENSIONS (UNIT: mm)

Tolerance: ±0.5mm Except Specified



JPR Electronics Ltd

Unit 4, Circle Business Centre, Blackburn Road, Dunstable. Beds. LU5 5DD
+44(0)1582 47 00 00 sales@jprelec.co.uk www.jprelec.co.uk