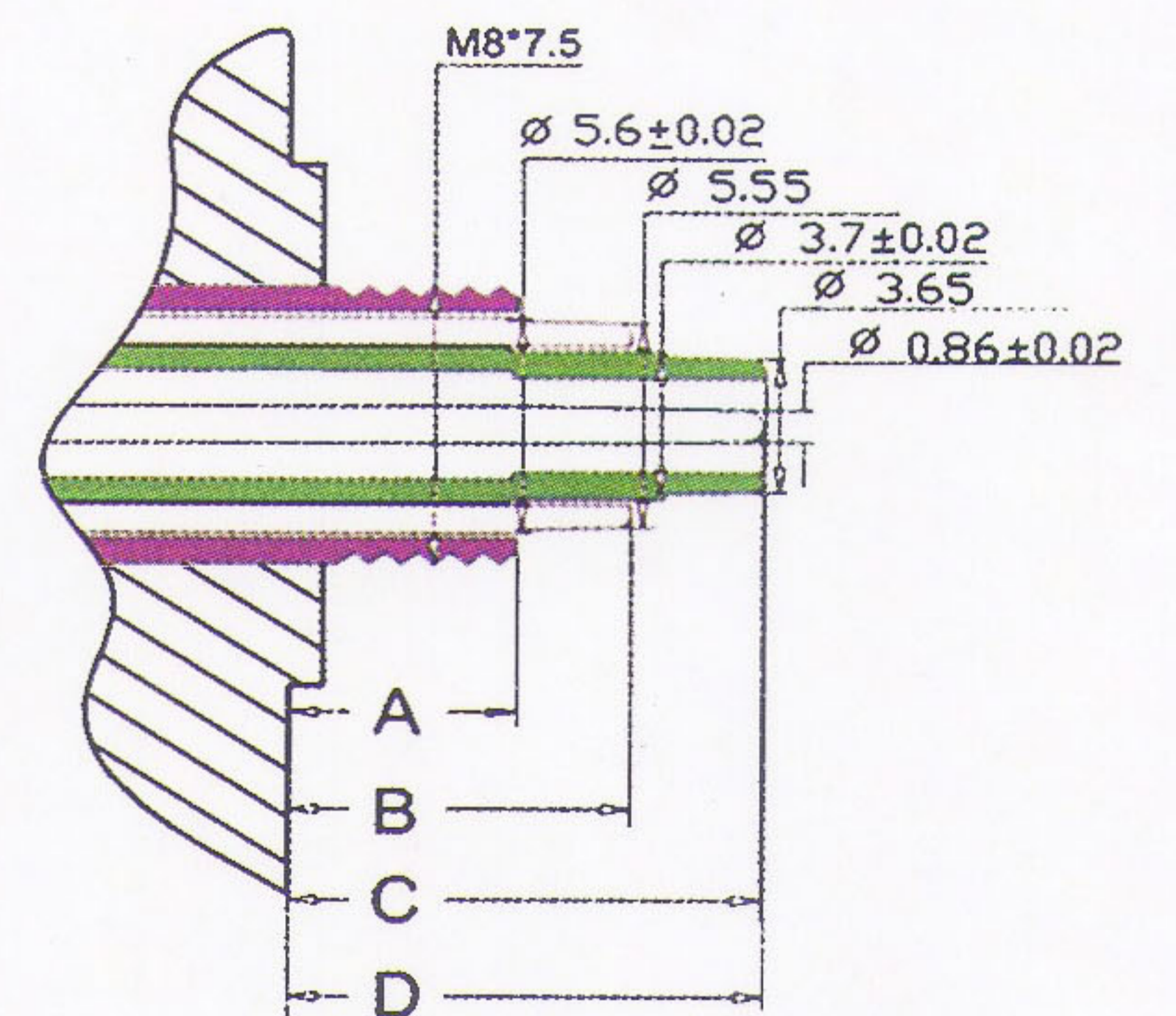
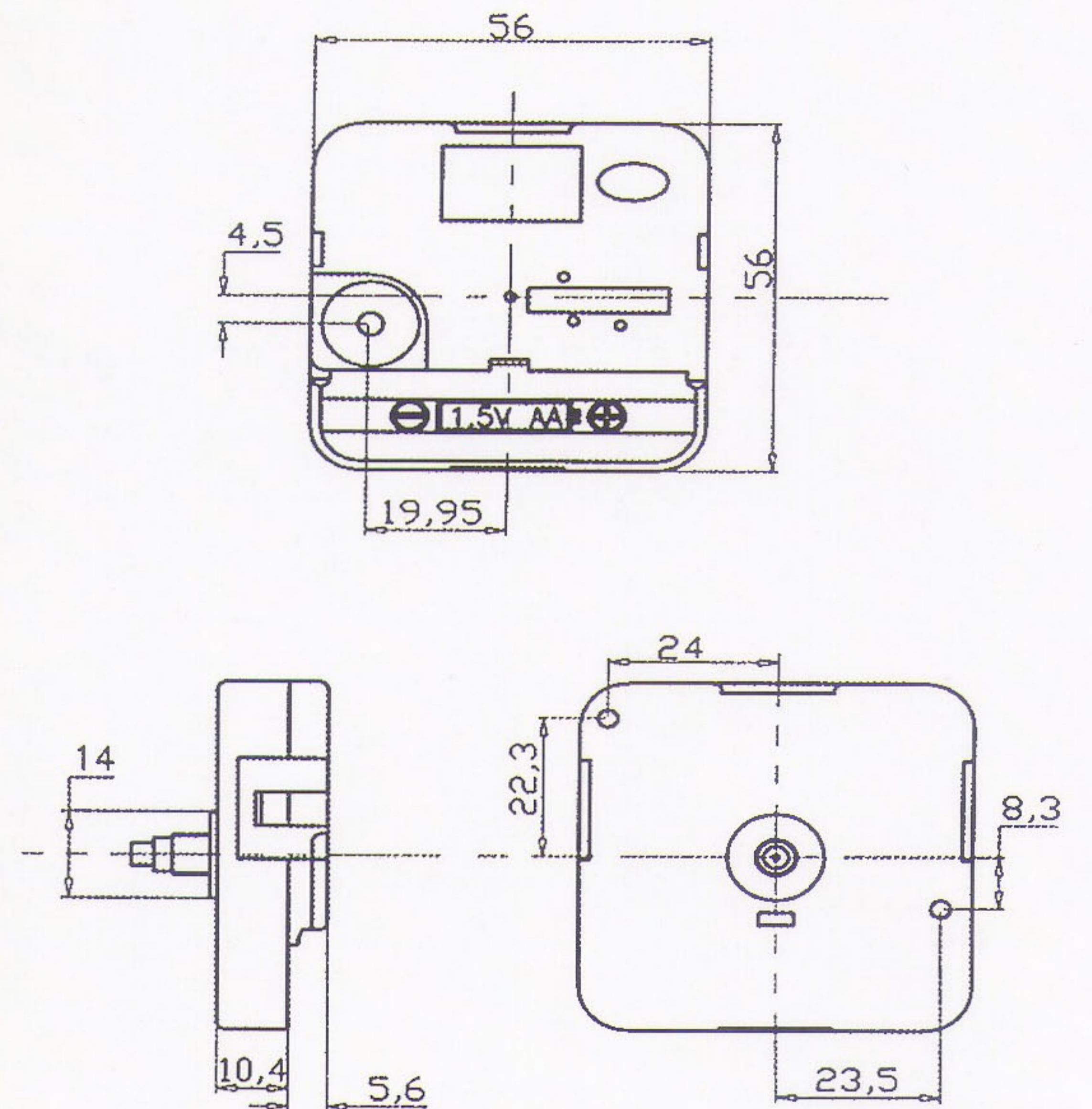




**H9188-H**

**STANDARD MOVEMENT WITH HANGER**



ITEM NO. I

ITEM NO. I	A	B	C	D
SHAFT LENGTH:7	0	4.1	7	7.3
SHAFT LENGTH:8	0	5.1	8	8.3
SHAFT LENGTH:9	0	6.1	9	9.3
SHAFT LENGTH:12	6.4	9.1	12	12.3
SHAFT LENGTH:13	6.8	10.1	13	13.3
SHAFT LENGTH:16	9.8	13.1	16	16.3
SHAFT LENGTH:18	11.8	15.1	18	18.3
SHAFT LENGTH:22	14.8	19.1	22	22.3