

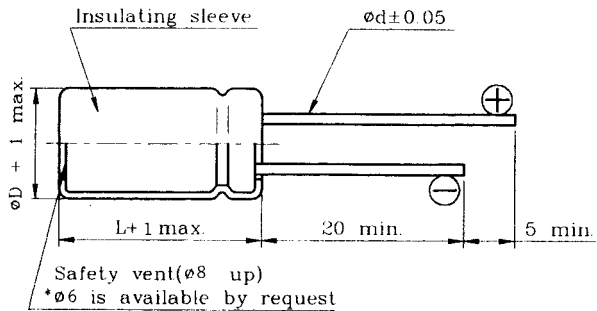
## EMR SERIES

- Super miniature size.
- Designed for use in VTRs, car radios, Car stereos. Micro-cassette tape recorders, pocket calculators and watches.

### Characteristics

<b>Voltage Range</b>	4 ~ 63V								
<b>Capacitance Range</b>	0.47 ~ 470uF								
<b>Temperature Range</b>	-40 ~ + 105°C								
<b>Capacitance Tolerance</b>	+20% -20% (at 20°C, 120Hz)								
<b>Leakage Current</b>	≤0.01CV or 3uA, whichever is greater (After 2 minutes)								
<b>Dissipation Factor</b>	Rated Voltage (V)	4V	6.3V	10V	16V	25V	35V	50V	63V
	Dissipation Factor( tan δ )max	0.35	0.24	0.20	0.16	0.14	0.12	0.10	0.10
(at 20°C, 120Hz)									
<b>Stability at Low Temperature</b>	Impedance ration at 120Hz								
	Rated Voltage (V)	4V	6.3V	10V	16V	25V	35V	50V	63V
	Z-25°C/Z 20°C	7	4	3	2	2	2	2	2
	Z-40°C/Z 20°C	15	8	6	4	4	3	3	3
<b>Load Life</b>	After the rated voltage has been applied for 1000 hours at 105°C	Capacitance change	Within ±20% of initial value						
		D.F. tanδ	200% of less of initial specified value						
		Leakage current	Initial specified value of less						
<b>Shelf Life</b>	After storage for 500 hours at 105°C, with no voltage applied and being stabilized at +20°C, Capacitor shall meet the limit specified in load life.								

### Diagram of dimensions



Dφ	4	5	6	8
p	1.5	2.0	2.5	3.5
dφ	0.45			0.5

### Maximum Ripple Current mA rms 105°C 120Hz Case Size of Standard Products D x L(mm)

uF \ WV	4	6.3	10	16	25	35	50	63
0.47	→	→	→	→	→	→	5	6
1	→	→	→	→	→	→	10	13
2.2	→	→	→	→	→	→	19	21
3.3	→	→	→	→	→	→	24	26
4.7	→	→	→	→	15	20	29	33
10	→	→	→	30	30	30	32	35
22	→	→	35	37	45	47	50	
33	→	→	40	42	47	52	62	
47	35	40	47	65	65	70		
100	40	65	90	92	95			
220	65	120	125					
330	120	150						
470	150							

uF \ WV	4	6.3	10	16	25	35	50	63
0.47	→	→	→	→	→	→	4x7	4x7
1	→	→	→	→	→	→	4x7	4x7
2.2	→	→	→	→	→	→	4x7	4x7
3.3	→	→	→	→	→	→	4x7	4x7
4.7	→	→	→	→	4x7	4x7	4x7	4x7
10	→	→	→	4x7	4x7	4x7	5x7	6x7
22	→	→	4x7	4x7	5x7	5x7	6x7	
33	→	→	4x7	4x7	5x7	6x7	*8x9	
47	4x7	4x7	4x7	5x7	6x7	6x7		
100	4x7	5x7	5x7	6x7	*8x9			
220	6x7	6x7	6x7	*8x9				
330	6x7	*8x9	*8x9					
470	*8x9							

\* Also 8x7 is available