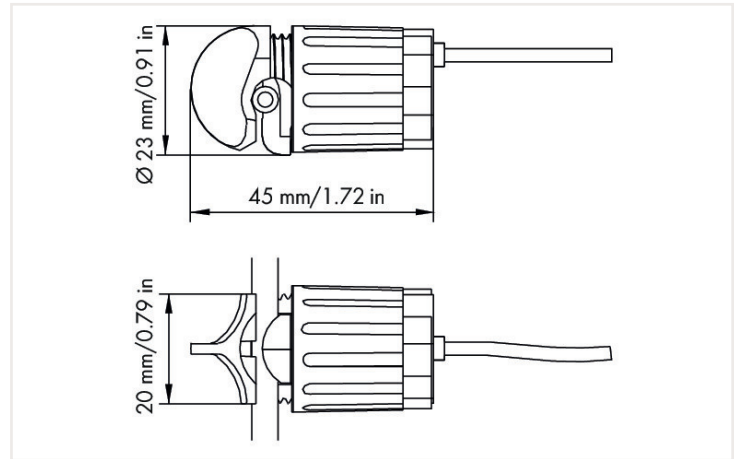


# Data sheet | Item number: 855-8002

Power tap; without fuse; 2,5 mm<sup>2</sup> (12 AWG) - 6 mm<sup>2</sup> (10 AWG); N-conductor



<https://www.wago.com/855-8002>



Dimensions in mm

## Short description:

WAGO's voltage taps (855 Series) easily and safely tap the measurement voltage. This allows a fuse-protected measurement voltage to be tapped from an insulated conductor with just one turn – no tools required.

## Features:

- Safely tap the measurement voltage with just one turn
- Tool-free assembly
- Secure mounting
- Voltage taps (855-8001 and 855-8003) include a (5 x 25) mm 2 A fuse
- For insulated conductors up to 16 mm<sup>2</sup> (6 AWG)
- Cable length: 3 m

## Technical data

### Input

Shunt (sekundär, DC)	DC
Stromwandler (sekundär, DC)	DC
Strom (primär, DC)	DC

### Output – voltage tap

Rated voltage	AC 400 V
Continuous current (max.)	2 A
Voltage drop	≤ 0.5 VAC
Fuse (voltage path)	-

## Safety and protection

Rated surge voltage	6 kV
Overvoltage category	III
Pollution degree	2
Protection type	IP20

### Test voltage

Test voltage	AC 3 kV; 50 Hz; 1 min
--------------	-----------------------

### Connection data

Connection technology	IDC connection
Solid conductor	2.5 ... 6 mm <sup>2</sup> / 14 ... 10 AWG
Fine-stranded conductor	2.5 ... 6 mm <sup>2</sup> / 14 ... 10 AWG
Feedthrough for measurement conductor	Ø 3 ... 5 mm
Cable type	Secondary side: 1 x 1.0 mm <sup>2</sup> ; flexible; with ferrule

### Physical data

Width	23 mm / 0.906 inches
Height	50 mm / 1.969 inches
Depth	23 mm / 0.906 inches
Cable length	3 m

### Mechanical data

Mounting type	Insulation displacement connection Mounting on insulated round cable
Torque range	1.5 ... 2 Nm
Usability	Can be reused several times (max. 24 times)

### Material Data

Flammability class per UL94	V2
Housing material	PA 66
Fire load	0 MJ
Weight	20 g

### Environmental requirements

Ambient temperature (operation at U <sub>N</sub> )	-5 ... 55 °C
Surrounding air temperature (storage)	-20 ... +70 °C
Relative humidity	5 ... 85 % (without condensation)
Operating altitude (max.)	2000 m

### Standards and specifications

Conformity marking	CE
Standards/specifications	EN 60947-7-1

### Commercial data

eCl@ss 10.0	27-14-11-92
eCl@ss 9.0	27-14-11-92
ETIM 8.0	EC002848
ETIM 7.0	EC002848
PU (SPU)	10 (1) Stück
Packaging type	Box
Country of origin	NL
GTIN	4055143378857
Customs tariff number	85366990990

Approvals and certificates

General approvals



Approval	Standard	Certificate name
EAC Brjansker Zertifizierungs- stelle	TP TC 004/2011,TP TC 020/2011	EAC RU C-DE.AM02. B.00111/19

Downloads

Environmental Product Compliance

Compliance Search

Environmental Product  
Compliance 855-8002



Documentation

Bid Text

855-8002	19.02.2019	xml 4.98 KB	
855-8002	20.02.2019	docx 17.11 KB	

Instruction Leaflet

Potentialabgriffe pdf  
77.71 KB



1 Compatible products

1.1 Optional accessories

1.1.1 Installation

1.1.1.1 Current transformer terminal block



[Item no.: 2007-8876](#)

Compact terminal block; for 3-phase current transformer circuit; 6,00 mm<sup>2</sup>; multicoloured



[Item no.: 2007-8873](#)

Compact terminal block; for current and voltage transformers; 6,00 mm<sup>2</sup>; multicoloured



[Item no.: 2007-8874](#)

Compact terminal block; for current and voltage transformers; 6,00 mm<sup>2</sup>; multicoloured



[Item no.: 2007-8875](#)

Compact terminal block; for current transformer circuit; 6,00 mm<sup>2</sup>; multicoloured



[Item no.: 2007-8877](#)

Compact terminal block; for current transformer circuit; 6,00 mm<sup>2</sup>; multicoloured

## 1.1.2 Signal conditioner

### 1.1.2.1 Current signal conditioner



**Item no.: 857-569**

Power signal conditioner; Current and voltage input signal; Current and voltage output signal; Digital output; Configuration via software; Supply voltage: 24 VDC; 6 mm module width

### 1.1.2.2 Power measurement module



**Item no.: 2857-570/024-001**

3-Phase Power Measurement Module; 3x277/480 V/1 A; Modbus RTU; Digital output; Configuration via software; Supply voltage: 24 VDC



**Item no.: 2857-570/024-005**

3-Phase Power Measurement Module; 3x277/480 V/5 A; Modbus RTU; Digital output; Configuration via software; Supply voltage: 24 VDC



**Item no.: 2857-570/024-000**

3-Phase Power Measurement Module; 3x277/480 V/RC; Modbus RTU; Digital output; Configuration via software; Supply voltage: 24 VDC



**Item no.: 857-569**

Power signal conditioner; Current and voltage input signal; Current and voltage output signal; Digital output; Configuration via software; Supply voltage: 24 VDC; 6 mm module width

### 1.1.2.3 Voltage signal conditioner



**Item no.: 857-569**

Power signal conditioner; Current and voltage input signal; Current and voltage output signal; Digital output; Configuration via software; Supply voltage: 24 VDC; 6 mm module width



**Item no.: 857-560**

Voltage signal conditioner; Voltage input signal; Current and voltage output signal; Digital output; Configuration via software; Supply voltage: 24 VDC; 6 mm module width

## Installation notes

### Installation

Installation on an insulated conductor with insulation displacement connection (IDC)