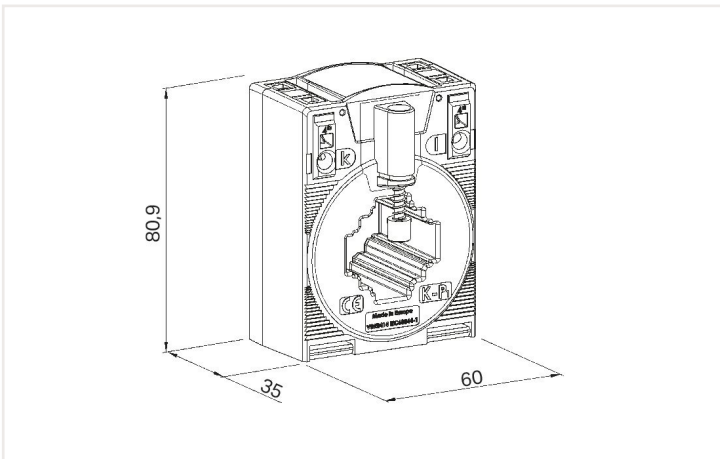
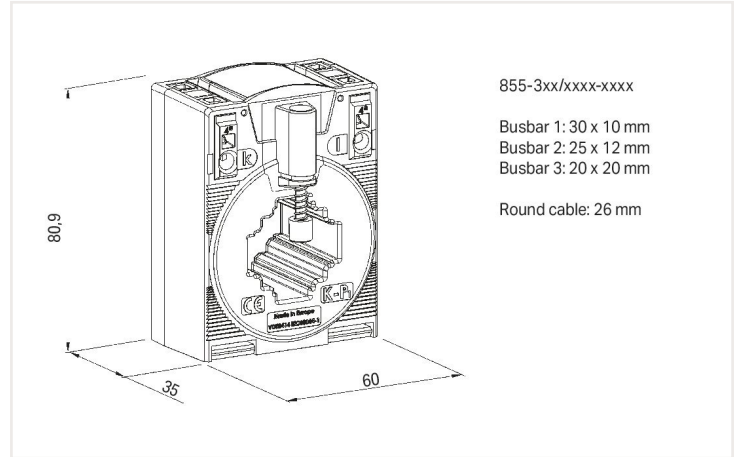


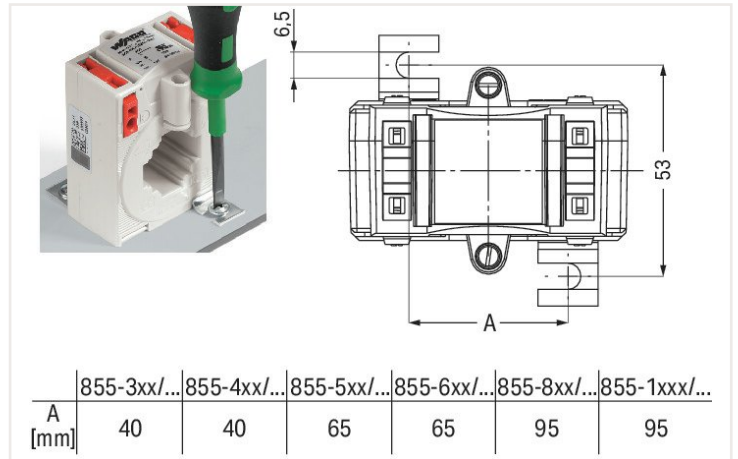
Data sheet | Item number: 855-305/150-501

Plug-in current transformer; Primary rated current: 150 A; Secondary rated current: 5 A; Rated power: 5 VA; Accuracy class: 1

<https://www.wago.com/855-305/150-501>



Dimensions in mm



Dimensions in mm

Short description:**Technical data****Input**

Shunt (sekundär, DC)	DC
Stromwandler (sekundär, DC)	DC
Strom (primär, DC)	DC

- High current-carrying capacity
- Continuous overload of 120% the nominal primary current
- Low-voltage current transformer for operating voltages up to max. 1.2 kV
- For 690 V power networks
- UL recognized components

Output – current transformer

Secondary rated current	5 A
Rated power S_r	5 VA

Input Current Transformers

Primary rated current	150 A
Rated continuous thermal current I_{cth}	$1.2 \times I_N$
Rated short-time thermal current I_{th}	$60 \times I_N / 1 \text{ s}$ (max. 100 kA / 1 s)
Overcurrent limiting factor	FS5 / FS10 (type dependent; see type plate inscription)
Rated frequency	50 ... 60 Hz

Measurement error

Accuracy class	1
----------------	---

Safety and protection

Highest voltage for equipment U_m	AC 1.2 kV _{rms}
-------------------------------------	--------------------------

Test voltage

Test voltage	AC 6 kV; 50 Hz; 1 min
--------------	-----------------------

Connection data

Connection technology	CAGE CLAMP®
Solid conductor	0.08 ... 4 mm ² / 28 ... 12 AWG
Fine-stranded conductor	0.08 ... 4 mm ² / 28 ... 12 AWG
Strip length	9 ... 10 mm / 0.35 ... 0.39 inches

Physical data

Width	60 mm / 2.362 inches
Height	80.9 mm / 3.185 inches
Depth	52 mm / 2.047 inches

Mechanical data

Mounting type	Closed current transformer Installation on mounting plate Mounting on DIN-rail via DIN-rail adapter Installation on round cable
---------------	--

Material Data

Insulation class	E
Fire load	0 MJ
Weight	313 g

Environmental requirements

Ambient temperature (operation at U_N)	-5 ... 50 °C
Surrounding air temperature (storage)	-25 ... +70 °C
Operating altitude (max.)	1000 m

Standards and specifications

Conformity marking	CE
Standards/specifications	EN 61869-1 EN 61869-2 UL: E356480

Commercial data

eCl@ss 10.0	27-21-09-02
eCl@ss 9.0	27-21-09-02
ETIM 8.0	EC002048
ETIM 7.0	EC002048
PU (SPU)	1 Stück
Packaging type	Box
Country of origin	HU
GTIN	4050821749349
Customs tariff number	85043129900

Approvals and certificates

General approvals



Approval	Standard	Certificate name
EAC Brjansker Zertifizierungs- stelle	TP TC 004/2011,TP TC 020/2011	EAC RU C-DE.AM02. B.00111/19
UL Underwriters Laboratories Inc.	-	E356480

Downloads

Environmental Product Compliance

Compliance Search

Environmental Product Compliance
855-305/150-501



Documentation

Bid Text

855-305/150-501	05.02.2015	doc 31.00 KB	
855-305/150-501	19.02.2019	xml 4.95 KB	

Instruction Leaflet

Aufsteck-Stromwandler	pdf 1438.11 KB	
-----------------------	-------------------	--

CAD/CAE-Data

CAD data

2D/3D Models 855-305/150-501	
---------------------------------	--

CAE data

EPLAN Data Portal 855-305/150-501	
WSCAD Universe 855-305/150-501	
ZUKEN Portal 855-305/150-501	

Engineering-Software

Software for Interface-Products

WAGO Interface Configuration Software G2 FULL	1.0.8.6 20.01.2022	exe 111289.67 KB	
WAGO Interface Configuration Software G2 SMALL	1.0.8.6 20.01.2022	exe 29307.84 KB	

1 Compatible products

1.1 Optional accessories

1.1.1 Installation

1.1.1.1 Current transformer terminal block



Item no.: 2007-8876
Compact terminal block; for 3-phase current transformer circuit; 6,00 mm²; multicoloured



Item no.: 2007-8873
Compact terminal block; for current and voltage transformers; 6,00 mm²; multicoloured



Item no.: 2007-8874
Compact terminal block; for current and voltage transformers; 6,00 mm²; multicoloured



Item no.: 2007-8875
Compact terminal block; for current transformer circuit; 6,00 mm²; multicoloured



Item no.: 2007-8877
Compact terminal block; for current transformer circuit; 6,00 mm²; multicoloured

1.1.2 Mounting adapter

1.1.2.1 DIN-rail adapter



Item no.: 855-9900
Carrier rail adapter

1.1.2.2 Fast connection adapter



Item no.: 855-9910
Quick-mount kit

1.1.3 Signal conditioner

1.1.3.1 Current signal conditioner



Item no.: 857-551
Current signal conditioner; Current input signal; Current and voltage output signal; Digital output; Configuration via software; Supply voltage: 24 VDC; 6 mm module width



Item no.: 857-550
Current signal conditioner; Current input signal; Current and voltage output signal; Digital output; Configuration via software; Supply voltage: 24 VDC; 6 mm module width; 2,50 mm²



Item no.: 857-569
Power signal conditioner; Current and voltage input signal; Current and voltage output signal; Digital output; Configuration via software; Supply voltage: 24 VDC; 6 mm module width

1.1.3.2 Power measurement module



Item no.: 2857-570/024-005
3-Phase Power Measurement Module; 3x277/480 V/5 A; Modbus RTU; Digital output; Configuration via software; Supply voltage: 24 VDC



Item no.: 857-569
Power signal conditioner; Current and voltage input signal; Current and voltage output signal; Digital output; Configuration via software; Supply voltage: 24 VDC; 6 mm module width

1.1.3.3 Voltage signal conditioner



Item no.: 857-569
Power signal conditioner; Current and voltage input signal; Current and voltage output signal; Digital output; Configuration via software; Supply voltage: 24 VDC; 6 mm module width

1.1.4 Tool

1.1.4.1 Operating tool



Item no.: 210-720
Operating tool; Blade: 3.5 x 0.5 mm; with a partially insulated shaft; multicoloured

Installation notes

Conductor termination

Conductor termination – screwdriver ac-
tuation perpendicular to conductor entry

Conductor termination – screwdriver ac-
tuation parallel to conductor entry

Installation

Installation on copper current bar

Installation on round cable

Installation on mounting plate

Mounting on DIN-rail via 855-9900 DIN-
Rail Adapter

Installation via 855-9910 Quick-Mount Kit