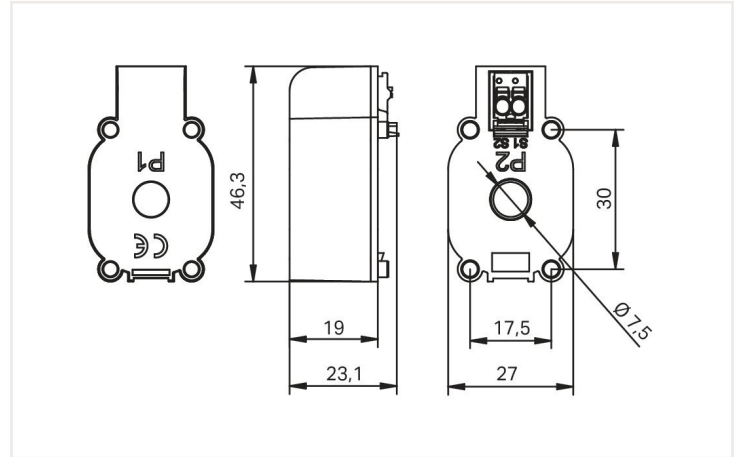


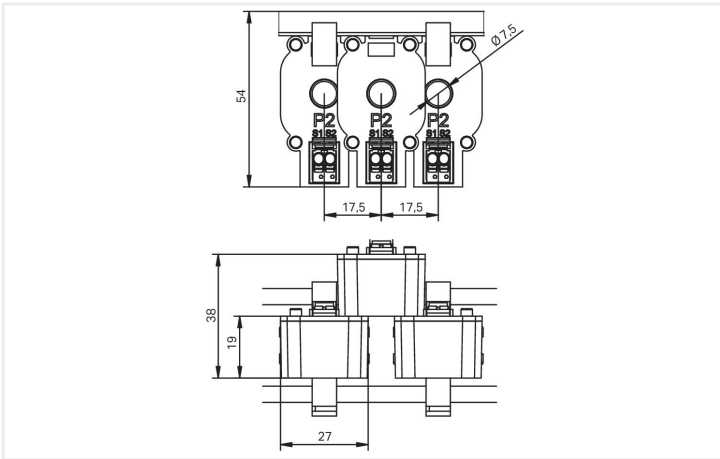
Data sheet | Item number: 855-2701/035-001

Plug-in current transformer; Primary rated current: 35 A; Secondary rated current: 1 A; Rated power: 0.2 VA; Accuracy class: 1

<https://www.wago.com/855-2701/035-001>



Dimensions in mm



Dimensions in mm

Short description:**Technical data****Input**

Shunt (sekundär, DC)	DC
Stromwandler (sekundär, DC)	DC
Strom (primär, DC)	DC

- Convert current from 64 A or 35 A to 1 A
- Accuracy class: 1

Input Current Transformers

Primary rated current	35 A
Rated continuous thermal current I_{cth}	100 %
Rated short-time thermal current I_{th}	$60 \times I_N / 1 \text{ s}$
Rated surge current I_{dyn}	$2.5 \times I_{th}$
Rated frequency	50 ... 60 Hz

Output – current transformer

Secondary rated current	1 A
Rated power S_r	0.2 VA

Measurement error

Accuracy class	1
----------------	---

Safety and protection

Highest voltage for equipment U_m	AC 720 V _{rms}
Protection type	IP20

Test voltage

Test voltage	AC 3 kV; 50 Hz; 1 min
--------------	-----------------------

Connection data

Connection technology	Push-in CAGE CLAMP®
WAGO connector	<i>picoMAX</i> ® 3.5, 2091-1122
Solid conductor	0.2 ... 1.5 mm ² / 24 ... 14 AWG
Fine-stranded conductor	0.2 ... 1.5 mm ² / 24 ... 14 AWG
Strip length	8 ... 9 mm / 0.31 ... 0.35 inches
Feedthrough for measurement conductor	Ø 7.5 mm

Physical data

Width	27 mm / 1.063 inches
Height	46 mm / 1.811 inches
Depth	23 mm / 0.906 inches

Mechanical data

Mounting type	Closed current transformer Mounting on DIN-rail via DIN-rail adapter Installation on round cable
---------------	--

Material Data

Insulation class	E
Flammability class per UL94	V2
Housing material	PA 66
Fire load	0 MJ
Weight	48.4 g

Environmental requirements

Ambient temperature (operation at U_N)	-10 ... 55 °C
Surrounding air temperature (storage)	-20 ... +70 °C
Relative humidity	5 ... 85 % (without condensation)
Operating altitude (max.)	2000 m

Standards and specifications

Conformity marking	CE
Standards/specifications	EN 61869-1 EN 61869-2 UL

Commercial data

eCl@ss 10.0	27-21-09-02
eCl@ss 9.0	27-21-09-02
ETIM 8.0	EC002048
ETIM 7.0	EC002048
PU (SPU)	15 (1) Stück
Packaging type	Box
Country of origin	NL
GTIN	4050821864240
Customs tariff number	85043129900

Approvals and certificates

General approvals



Approval	Standard	Certificate name
EAC Brjansker Zertifizierungs- stelle	TP TC 004/2011,TP TC 020/2011	EAC RU C-DE.AM02. B.00111/19
UL Underwriters Laboratories Inc.	-	E356480

Downloads

Environmental Product Compliance

Compliance Search

Environmental Product Compliance
855-2701/035-001



Documentation

Bid Text

855-2701/035-001	19.02.2019	xml 5.16 KB	
855-2701/035-001	21.07.2015	doc 31.00 KB	

Instruction Leaflet

Aufsteck-Stromwandler mit picoMAX - Steckverbinder	pdf 320.75 KB	
--	------------------	--

CAD/CAE-Data

CAD data

2D/3D Models 855-2701/035-001	
----------------------------------	--

CAE data

EPLAN Data Portal 855-2701/035-001	
WSCAD Universe 855-2701/035-001	
ZUKEN Portal 855-2701/035-001	

Engineering-Software

Software for Interface-Products

WAGO Interface Configuration Software G2 FULL	1.0.8.6 20.01.2022	exe 111289.67 KB	
WAGO Interface Configuration Software G2 SMALL	1.0.8.6 20.01.2022	exe 29307.84 KB	

1 Compatible products

1.1 Optional accessories

1.1.1 Installation

1.1.1.1 Current transformer terminal block



Item no.: 2007-8876
Compact terminal block; for 3-phase current transformer circuit; 6,00 mm²; multicoloured



Item no.: 2007-8873
Compact terminal block; for current and voltage transformers; 6,00 mm²; multicoloured



Item no.: 2007-8874
Compact terminal block; for current and voltage transformers; 6,00 mm²; multicoloured



Item no.: 2007-8875
Compact terminal block; for current transformer circuit; 6,00 mm²; multicoloured



Item no.: 2007-8877
Compact terminal block; for current transformer circuit; 6,00 mm²; multicoloured

1.1.2 Mounting adapter

1.1.2.1 DIN-rail adapter



Item no.: [855-9927](#)

Carrier rail adapter

1.1.3 Signal conditioner

1.1.3.1 Current signal conditioner



Item no.: [857-550](#)

Current signal conditioner; Current input signal; Current and voltage output signal; Digital output; Configuration via software; Supply voltage: 24 VDC; 6 mm module width; 2,50 mm²

1.1.3.2 Power measurement module



Item no.: [2857-570/024-001](#)

3-Phase Power Measurement Module; 3x277/480 V/1 A; Modbus RTU; Digital output; Configuration via software; Supply voltage: 24 VDC

1.1.4 Tool

1.1.4.1 Operating tool



Item no.: [210-719](#)

Operating tool; Blade: 2.5 x 0.4 mm; with a partially insulated shaft

Installation notes

Conductor termination

Push-in termination of solid conductors and fine-stranded conductors with ferrules

Universal connection for fine-stranded conductors

Installation

Just slide together.

To save space, mount directly above the circuit breaker.

Mounting on DIN-rail via 855-9927 DIN-Rail Adapter