

OVERALL ASSEMBLY DIMENSIONS:

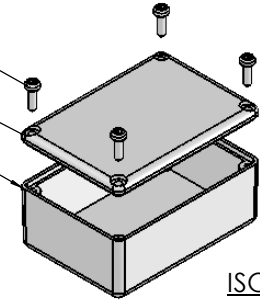
EXTERNAL - 53.5 x 37.5 x 22.7

INTERNAL - 50 x 34 x 18.7

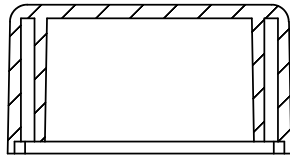
SELF TAPPING SCREW

LID

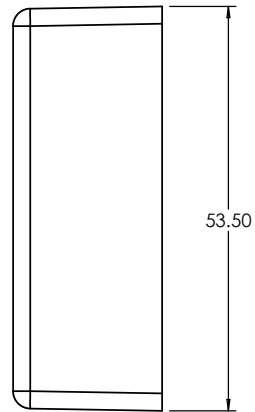
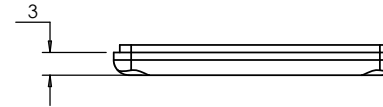
BASE



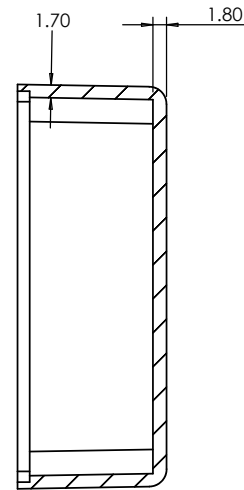
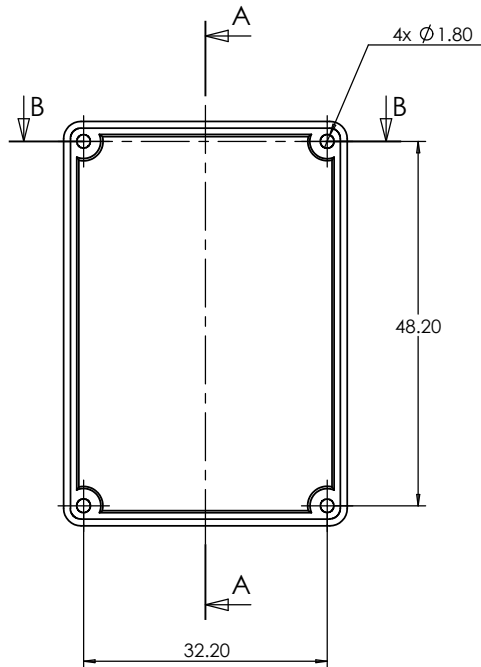
ISO VIEW
1:2



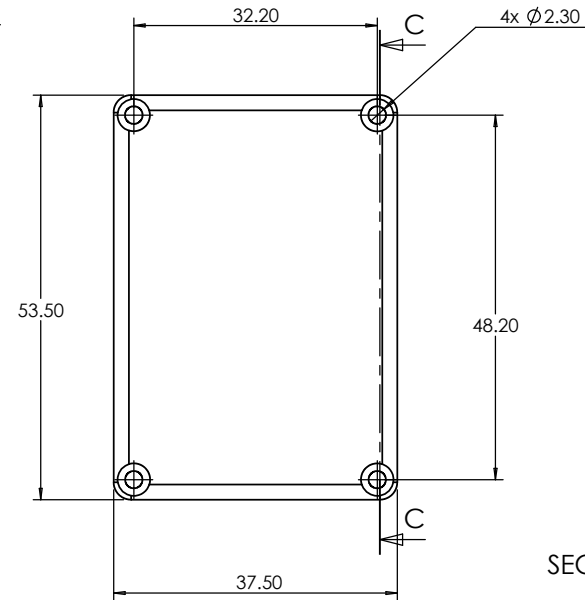
SECTION B-B



BASE

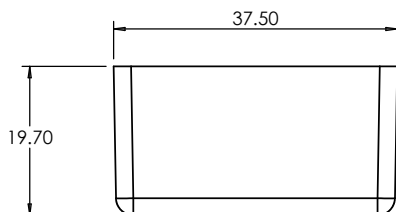


SECTION A-A



SECTION C-C

LID



<p>JAMES CARTER RD, MILDENHALL, SUFFOLK. IP28 7DE TEL: 01638 716101 FAX: 01638 716554 EMAIL: SALES@BOSS-ENCLOSURES.CO.UK WEB: WWW.BOSS-ENCLOSURES.CO.UK</p>				UNLESS OTHERWISE SPECIFIED: DIMENSIONS ARE IN MILLIMETERS		DO NOT SCALE DRAWING		REVISION. 0	
				FINISH: LIGHT SPARK		TITLE: ASSEMBLY DRG FOR 208			
DRAWN S.HARDINGE		SIGNED SJH		DATE 28/11/05		MATERIAL: ABS		DWG NO. 208	
CHK'D -		-		-		PROJECTION. 		SCALE: 1:1	
								SHEET 1 OF 1	
								A4	