

# 3mm LED series

## Package Dimensions

### Features

- \* High intensity LED lamp;
- \*  $\phi 3\text{mm}$  round shape;
- \* UV resistant epoxy;

### Applications

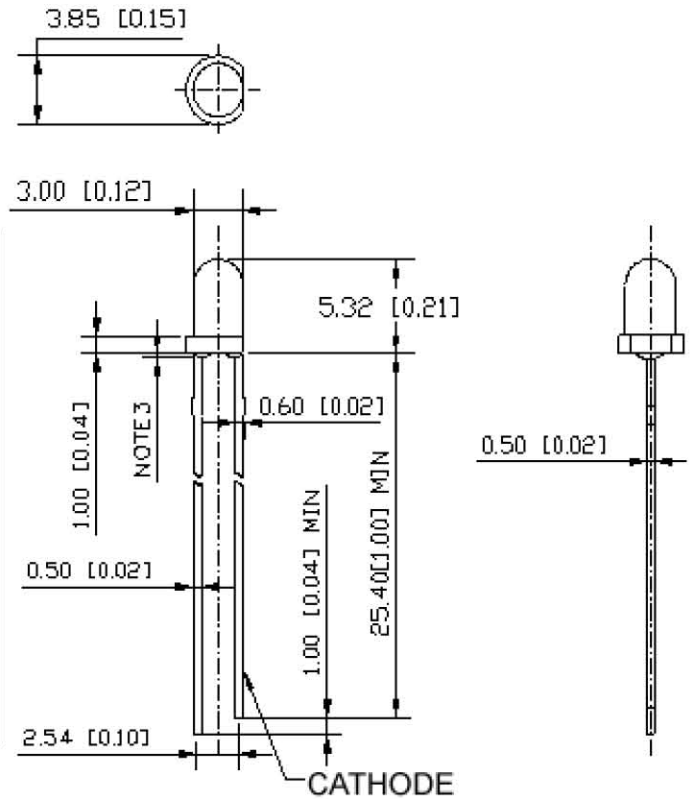
- \* Indicators;
- \* Illumination;

### Absolute Maximum Ratings (Ta=25°C)

Parameter	Symbol	Max	Unit
Power Dissipation	$P_D$	100	mW
Peak Forward Current*	$I_{FP}$	80	mA
Continuous Forward Current	$I_F$	20	mA
Derating Linear From 50°C		0.4	mA/°C
Reverse Voltage	$V_R$	5	V
Operating Temperature Range	$T_{opr}$	-30°C to +80°C	
Storage Temperature Range	$T_{stg}$	-40°C to +100°C	
Lead Soldering Temperature $\Delta$	$T_{sol}$	260	°C

\* Duty ratio max 1/10 Pulse Width max. 0.1ms;

$\Delta$  At the position of 4mm from the bottom of the package within 5 seconds.



Unit: mm[inches]

Tolerance:  $\pm 0.25\text{mm}$  [0.01]

### Absolute Maximum Ratings

(Ta=25°C, @IF=20mA)

Part No.	Material	Lens	Emitting Color	Forward Voltage (v)		Luminous Intensity (mcd)		Dominant Wavelength (nm)		Spectra Line Half-Width ( $\Delta\lambda$ )	Viewing Angle ( $2\theta_{1/2}$ )
				Typ	Max	Min	Max	Min	Max		
LOR-315	AS AlGaInP	Water Clear	Red	2.0	2.4	2200	2800	620	630	20	30
LAM-315	AS AlGaInP	Water Clear	Yellow	2.0	2.4	2200	2800	580	590	20	30
LPG-315	InGaN	Water Clear	Green	3.2	3.6	4200	5000	520	530	30	30
LCY-315	InGaN	Water Clear	Cyan	3.2	3.6	3800	4500	500	510	30	30
LBL-315	InGaN	Water Clear	Blue	3.2	3.6	2200	2800	460	470	30	30
LWH-315	InGaN	Water Clear	White	3.2	3.6	5000	6500			30	30
LWW-315	InGaN	Water Clear	Warm White	3.2	3.6	3000	3500			30	30