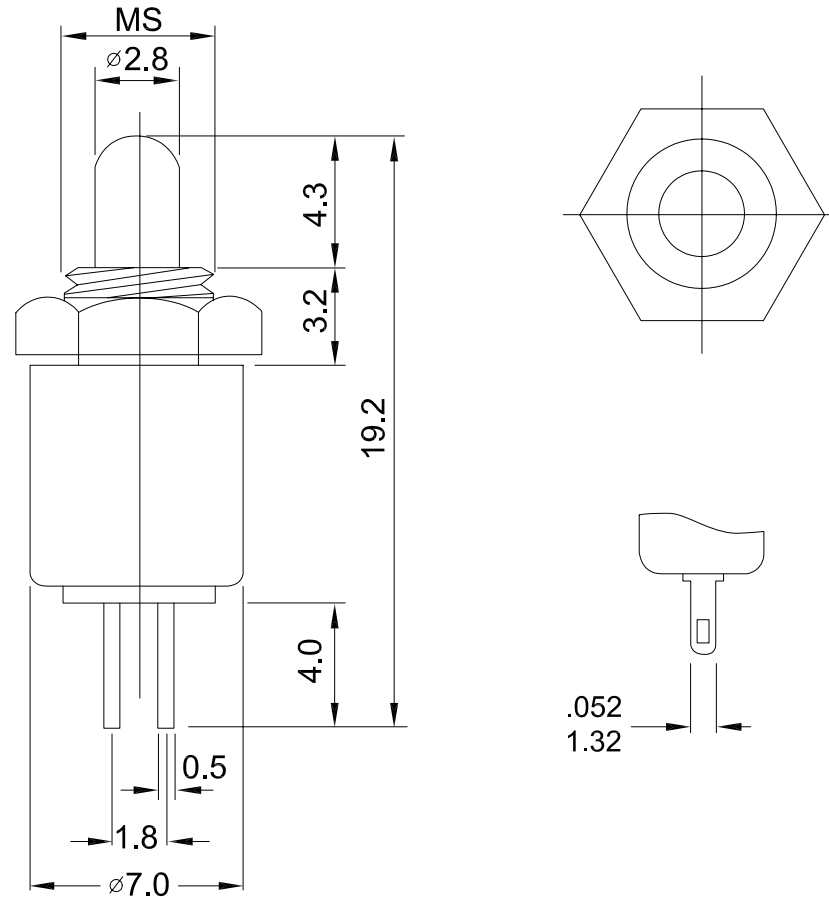

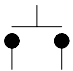
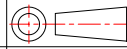


R18-36A DIMENSIONS

SPECIFICATION:

1. RATING: 0.5A 125V AC
2. CONTACT RESISTANCE: 30mΩ Max.
3. INSULATION RESISTANCE: DC 500V 100MΩ Min.
4. DIELECTRIC STRENGTH: AC 500V 1 minute
5. ELECTRICAL LIFE: 30,000 cycles
6. MECHANICAL LIFE: 50,000 cycles



model no.	type		nominal tolerance		part no. R18-36A	 興瀚企業股份有限公司 Salecom. Electronics Co.,Ltd	material	
TS-33-B	off	mom	range	tolerance	dwg no. R18-36A-001		check	
schematic  mom:momentary			0~1	± 0.10	part name.	scale 4:1	 drawer Jessica	
			1~4	± 0.20	R18/SPST Micro-Miniature Pushbotton Switches	unit m/m (inch)	rev. 1	
			4~16	± 0.30		date	2005/12/07	