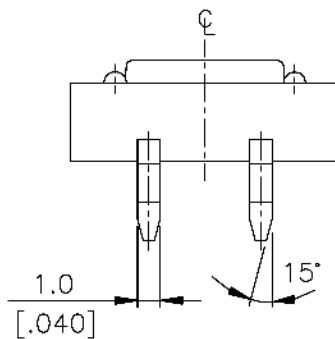


P.C.B. LAYOUT

CIRCUIT DIAGRAM



DTS-25□	8.5 [.335]
DTS-21□	4.3 [.169]
PROD. NO.	H
附表 A	

General Tolerance : ±0.2mm